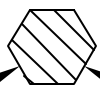
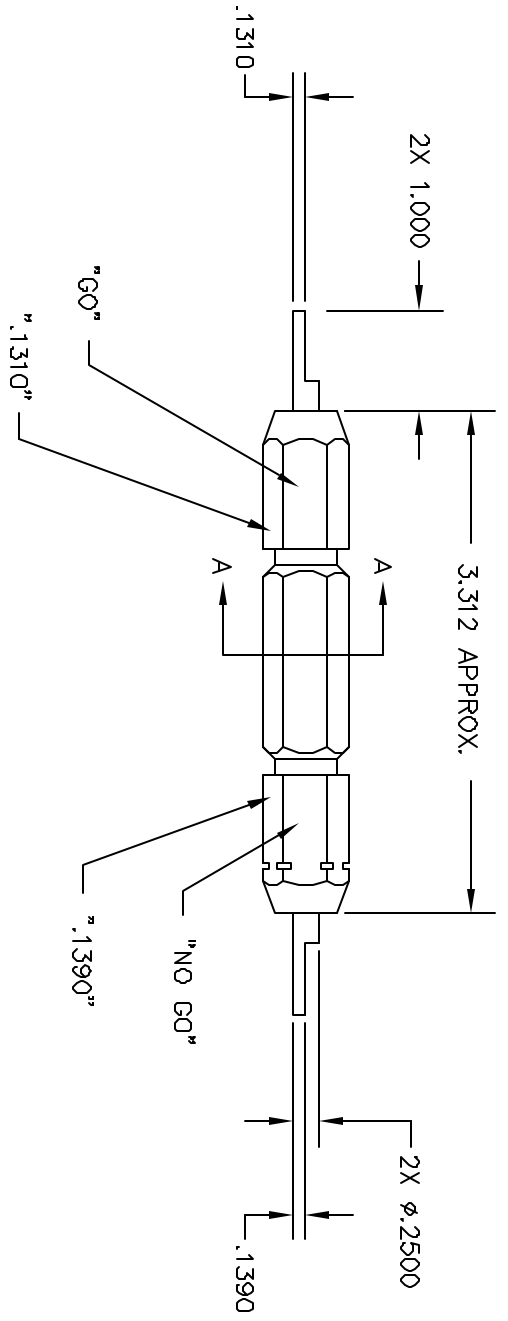


REVISIONS				
REV. SYM.	E.C.D. NUMBER	DESCRIPTION	BY DATE	APPR'D. DATE
1		ORIGINAL RELEASE	JAN 2/29/88	RSB 2/29/88



"DANIELS-USA G744"
 "DO NOT CRIMP"
 "GAGE"
 SECTION A-A



**UNCONTROLLED DOCUMENT
 WILL NOT BE UPDATED**

RESTRICTED & CONFIDENTIAL		MATERIAL		ITEM		PART NO.		QTY.		DESCRIPTION/REMARKS	
CONFIDENTIAL PROPERTY OF DANIELS MANUFACTURING CORP. NOT TO BE DISCLOSED TO OTHERS, REPRODUCED OR USED FOR ANY OTHER PURPOSES EXCEPT AS AUTHORIZED BY DANIELS MANUFACTURING CORP. ON COMPLETION OF ORDER OR OTHER PURPOSE FOR WHICH SENT.		HEAT TREAT		DRN. J. JOYCE		DATE 2/20/88					
		FINISH		CHK'D. RRR		DATE 2/23/88					
DO NOT SCALE DRAWING				APP'D.		DATE		WHERE USED:		TITLE	
								SIZE B		SCALE NTS	
								CND REF NO G744-ENV		SHEET 1 OF 1	
								P/N G744-ENV		REV. 1	