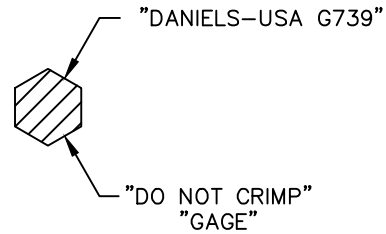
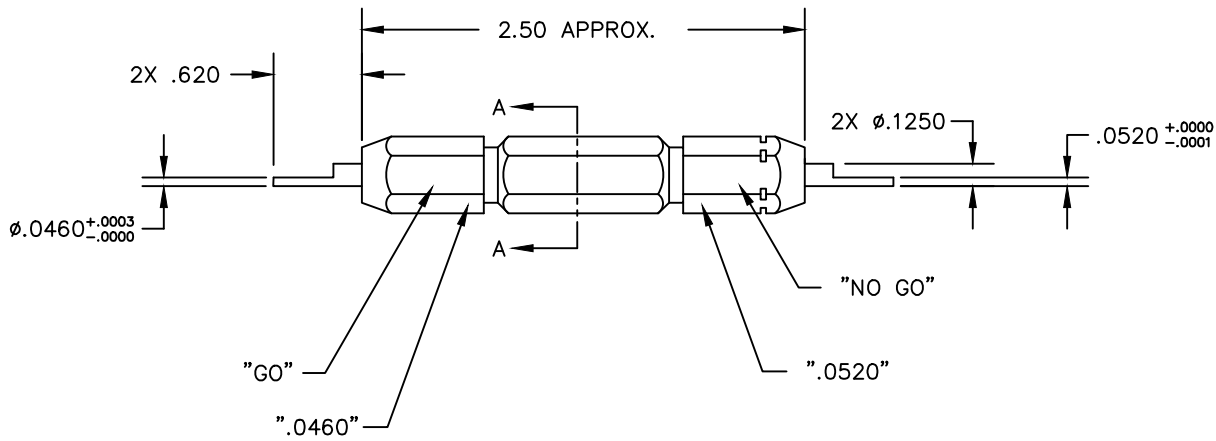


USERS MUST ENSURE CORRECT REVISION


REVISIONS				
REV. SYM.	E.C.O. NUMBER	DESCRIPTION	BY DATE	APP'D DATE
1		ORIGINAL RELEASE	JWJ 3/8/99	RRR 3/8/99



SECTION A-A



**UNCONTROLLED DOCUMENT
WILL NOT BE UPDATED**

RESTRICTED & CONFIDENTIAL		MATERIAL		ITEM	PART NO.	QTY.	DESCRIPTION/REMARKS					
CONFIDENTIAL PROPERTY OF DANIELS MANUFACTURING CORP. NOT TO BE DISCLOSED TO OTHERS, REPRODUCED OR USED FOR ANY OTHER PURPOSE, EXCEPT AS AUTHORIZED IN WRITING BY DANIELS MANUFACTURING. MUST BE RETURNED TO DANIELS MANUFACTURING CORP. ON COMPLETION OF ORDER OR OTHER PURPOSE FOR WHICH LEVY.		HEAT TREAT		DRN.	J. JOYCE	DATE	3/8/99					
				CHK'D.	RRR	DATE	3/8/99		 DANIELS MANUFACTURING CORP. ORLANDO, FLORIDA CAGE 11851			
				APP'D.		DATE				TITLE	GO/NO-GO GAGE ENVELOPE DRAWING	
				APP'D.		DATE			WHERE USED:			
DO NOT SCALE DRAWING		FINISH		NOTE:				SIZE	SCALE	CAD P/N	SHEET	OF
				THIS DRAWING IS AN OUTLINE DRAWING OF THE RESPECTIVE DMC PART NUMBER INDICATED. ACTUAL DMC PART NUMBER IS DRAWING NUMBER WITHOUT THE "-ENV" SUFFIX.				B	NTS	G739-ENV	1	1
				POSTING	DWG. NO.		REV.					
				G739-ENV		1						