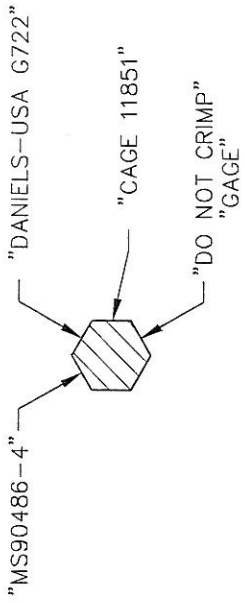
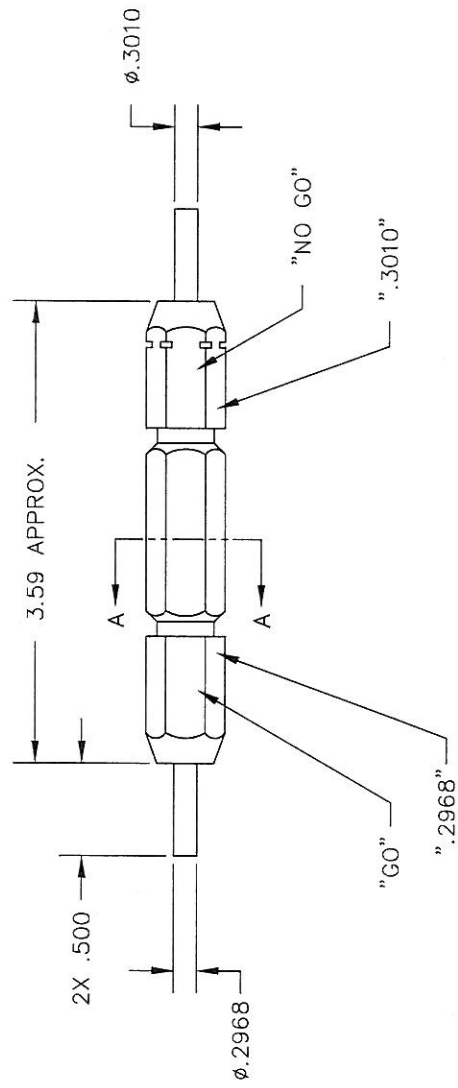


REV. SYM.		E.C.O. NUMBER		DESCRIPTION		BY DATE		APP'D DATE	
1				ORIGINAL RELEASE		DD	9/18/97	DE	9/97

REVISIONS



SECTION A-A



ITEM	DESCRIPTION	QTY.	DESCRIPTION/REMARKS
DRN.	DD	9/18/97	DANIELS MANUFACTURING CORP. ORLANDO, FLORIDA CAGE 11851 DMC TITLE: GO/NO-GO GAGE ENVELOPE DRAWING (MS90486-4) WHERE USED: SIZE B SCALE NTS CAD P/N G722-ENV SHEET OF 1 POSTING DWG. NO. G722-ENV REV. 1 THE "-ENV" SUFFIX.
CHK'D.	DE	9/97	
APP'D.			
APP'D.			
NOTE: THIS DRAWING IS AN OUTLINE DRAWING OF THE RESPECTIVE DMC PART NUMBER. CUSTOMER'S ORIGINAL DMC PART NUMBER SHALL BE THE NUMBER WITHOUT THE "-ENV" SUFFIX.			
MATERIAL	RESTRICTED & CONFIDENTIAL CONFIDENTIAL PROPERTY OF DANIELS MANUFACTURING CORP. NOT TO BE DISCLOSED TO OTHERS. REPRODUCED OR TRANSMITTED IN ANY FORM OR BY ANY MEANS, WITHOUT PERMISSION IN WRITING BY DANIELS MANUFACTURING CORP. MUST BE RETURNED TO DANIELS MANUFACTURING CORP. ON COMPLETION OF ORDER OR OTHER PURPOSE FOR WHICH LEFT.		
HEAT TREAT	DO NOT SCALE DRAWING		
FINISH			

**UNCONTROLLED DOCUMENT
 WILL NOT BE UPDATED**
 DIMENSIONS IN INCHES - UNLESS OTHERWISE SPECIFIED