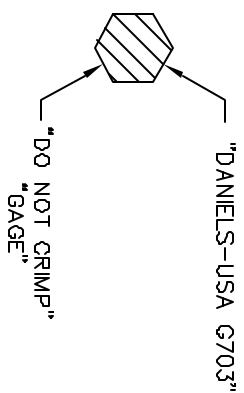
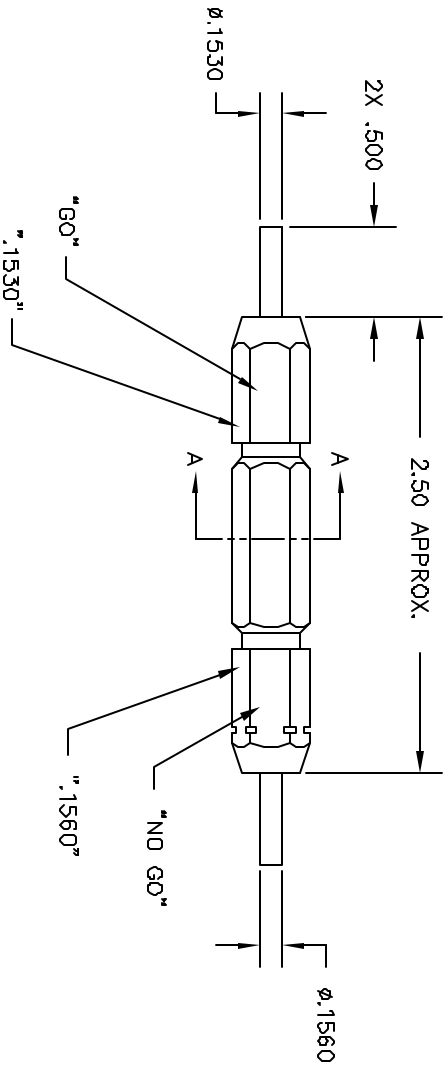


REVISIONS			
REV.	STAMP	DESCRIPTION	DATE
1		ORIGINAL RELEASE	3/17/01



SECTION A-A



**UNCONTROLLED DOCUMENT
WILL NOT BE UPDATED**

RESTRICTED & CONFIDENTIAL		MATERIAL		ITEM		PART NO.		QTY.		DESCRIPTION/REMARKS	
CONFIDENTIAL PROPERTY OF DANIELS MANUFACTURING CORP. NOT TO BE REPRODUCED OR TRANSMITTED IN ANY FORM OR BY ANY MEANS, ELECTRONIC OR MECHANICAL, INCLUDING PHOTOCOPYING, RECORDING, OR BY ANY INFORMATION STORAGE AND RETRIEVAL SYSTEM, WITHOUT THE WRITTEN PERMISSION OF DANIELS MANUFACTURING CORP. IN COMPLIANCE WITH THE PROVISIONS OF THE PATENT ACT OF 1952.		HEAT TREAT		DRN	LLW	DATE	DATE				
		FINISH		CHGR.	PD	DATE	DATE				
DO NOT SCALE DRAWING				APPR.	MCS	DATE	DATE				
				TITLE		WHERE USED		SHEET		OF	
				Daniel's Manufacturing Corp. DANIELS MANUFACTURING CORP. ORLANDO, FLORIDA CASE 17851		G0/NO-GO GAGE ENVELOPE DRAWING		G703-ENV G703-ENV		1 OF 1 1	