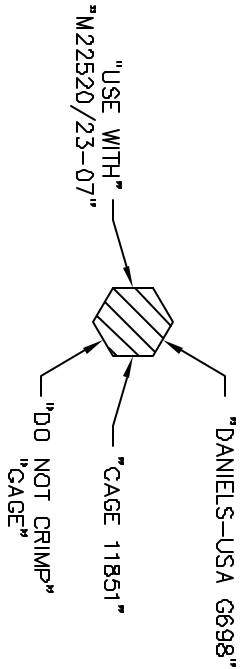
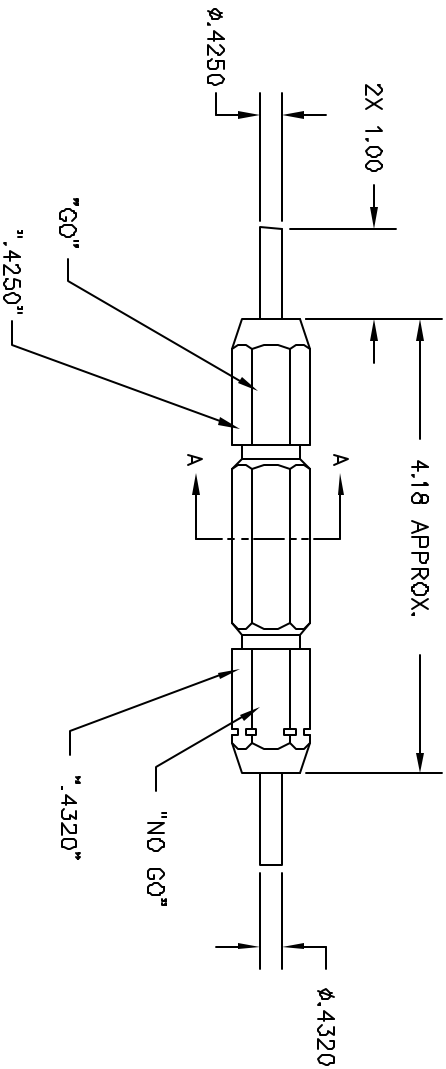


| REVISIONS | | | |
|-----------|------------|------------------|---------|
| REV. NO. | ECN NUMBER | DESCRIPTION | BY DATE |
| 1 | | ORIGINAL RELEASE | 7/29/01 |



SECTION A-A



UNCONTROLLED DOCUMENT
WILL NOT BE UPDATED

| RESTRICTED & CONFIDENTIAL | | MATERIAL | | ITEM | | PART NO. | | QTY. | | DESCRIPTION/REMARKS | |
|---|--|------------|--|--------------|--|--------------|--|--------------|--|--|--|
| CONFIDENTIAL PROPERTY OF DANIELS MANUFACTURING CORP. NOT TO BE REPRODUCED OR USED FOR ANY OTHER PURPOSE EXCEPT AS AUTHORIZED IN WRITING BY DANIELS MANUFACTURING. MUST BE RETURNED TO DANIELS MANUFACTURING OR OTHER PURCHASER FOR WHICH INT. | | HEAT TREAT | | DIN J. JOYCE | | DATE 7/23/01 | | DATE 7/23/01 | | DMC DANIELS MANUFACTURING CORP. ORLANDO, FLORIDA GAGE 11851 | |
| | | FINISH | | CHKD. RRR | | DATE | | DATE | | | |
| DO NOT SCALE DRAWING | | | | | | | | | | TITLE: GD/NO-GO GAGE ENVELOPE DRAWING WHERE USED: CAD P/N G698-ENV SHEET 1 OF 1 P/W G698-ENV REV 1 | |