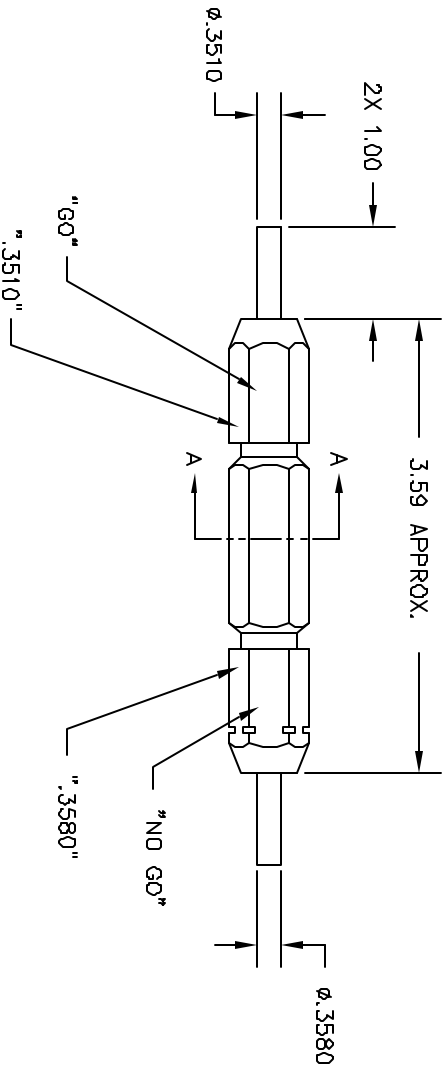
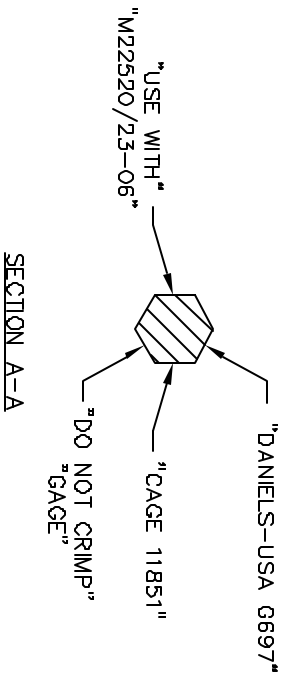


REVISIONS		REV.	DATE	BY	DATE
1	ORIGINAL RELEASE	7/15/01	7/15/01		



**UNCONTROLLED DOCUMENT  
WILL NOT BE UPDATED**

RESTRICTED & CONFIDENTIAL		MATERIAL		ITEM		PART NO.		QTY.		DESCRIPTION/REMARKS	
MANUFACTURING PROPERTY OF DANIELS MANUFACTURING CORP. NOT TO BE REPRODUCED OR TRANSMITTED IN ANY FORM OR BY ANY MEANS, ELECTRONIC OR MECHANICAL, INCLUDING PHOTOCOPYING, RECORDING, OR BY ANY INFORMATION STORAGE AND RETRIEVAL SYSTEM, WITHOUT PERMISSION IN WRITING BY DANIELS MANUFACTURING CORP. ALL RIGHTS RESERVED. MUST BE RETURNED TO DANIELS MANUFACTURING CORP. FOR ORDER OR OTHER RESPONSE FOR WHICH LENT.		HEAT TREAT		FINISH		DO NOT SCALE DRAWING					
DANIELS MANUFACTURING CORP. ORLANDO, FLORIDA CAGE 11851		G0/NO-G0 GAGE ENVELOPE DRAWING		G697-ENV		G697-ENV		G697-ENV		G697-ENV	