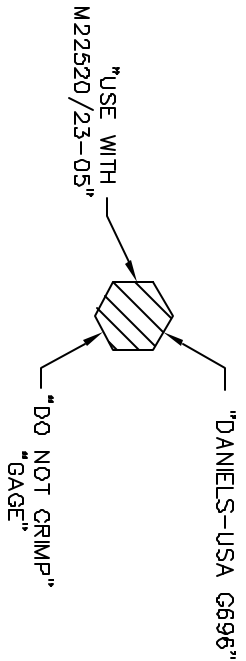
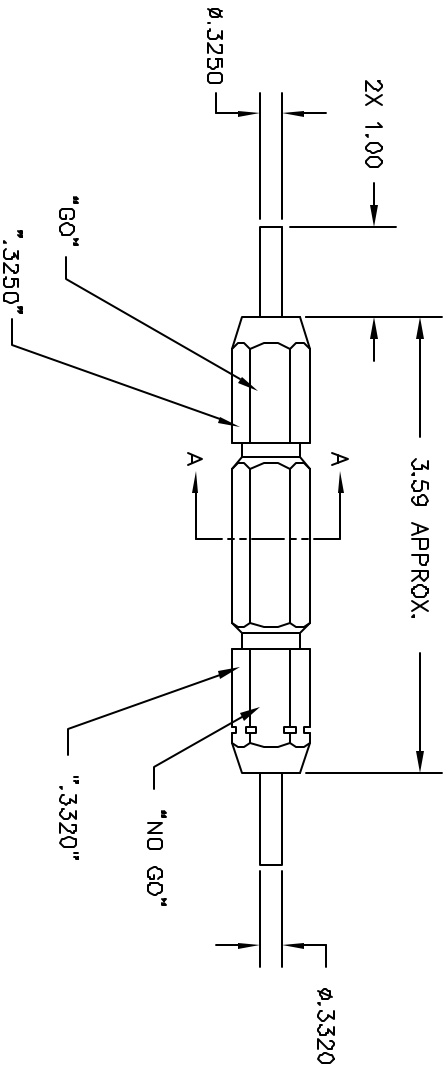


REVISIONS			
REV. STYL.	ECN# NUMBER	DESCRIPTION	BY DATE DATE APP'D
1		ORIGINAL RELEASE	11/27/98 1/7/99



SECTION A-A



**UNCONTROLLED DOCUMENT  
WILL NOT BE UPDATED**

RESTRICTED & CONFIDENTIAL		GONFIDENTIAL PROPERTY OF DANIELS MANUFACTURING COMPANY. REPRODUCTION OR USE FOR ANY OTHER PURPOSES EXCEPT AS AUTHORIZED IN WRITING BY DANIELS MANUFACTURING COMPANY IS PROHIBITED. THIS DRAWING MUST BE RETURNED TO DANIELS MANUFACTURING COMPANY UPON COMPLETION OF ORDER OR OTHER PURPOSE FOR WHICH INTD.	
MATERIAL	FINISH	HEAT TREAT	
ITEM	PART NO.	QTY.	DESCRIPTION/REMARKS
DRN J. JOYCE	DATE 11/27/98		 DANIELS MANUFACTURING CORP. ORLANDO, FLORIDA CASE 17851
CHKD. RRR	DATE 11/27/98		
APPR. DATE			
WHERE USED		SIZE	SCALE
G696-ENV		B	NTS
G696-ENV		P/M	
SHEET 1 OF 1		REV 1	

DO NOT SCALE DRAWING