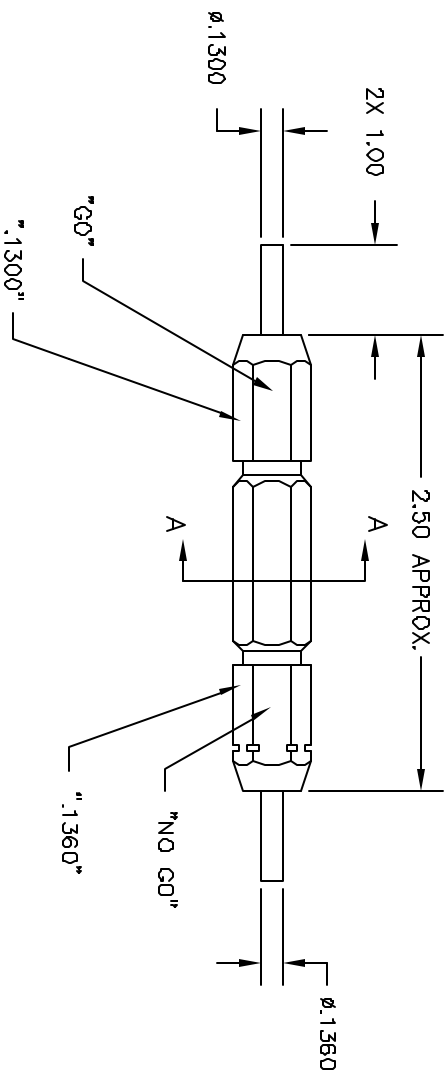
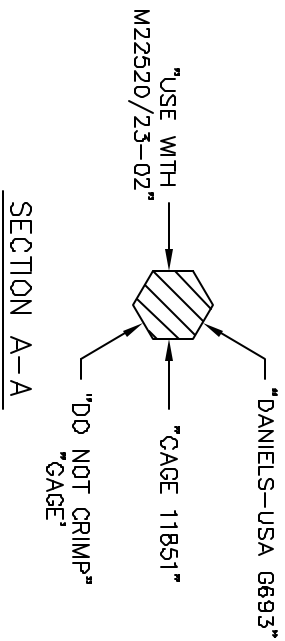


| REVISIONS | | | |
|-----------|------------------|---------|------------|
| REV. NO. | DESCRIPTION | BY DATE | APP'D DATE |
| 1 | ORIGINAL RELEASE | 2-20-08 | 2-26 |



**UNCONTROLLED DOCUMENT
WILL NOT BE UPDATED**

| RESTRICTED & CONFIDENTIAL | | MATERIAL | | ITEM | | PART NO. | | QTY. | | DESCRIPTION/REMARKS | |
|--|--|------------|--|------------|--|--------------|--|--------------|--|--|--|
| CONFIDENTIAL PROPERTY OF DANIELS MANUFACTURING CORP. NOT TO BE DISCLOSED TO OTHERS, REPRODUCED OR USED FOR ANY OTHER PURPOSE EXCEPT AS AUTHORIZED IN WRITING BY DANIELS MANUFACTURING CORP. DANIELS MANUFACTURING CORP. IN COMPETITION OR OTHER OR OTHER PURPOSE FOR WHICH INTENT. | | HEAT TREAT | | DIN 1.4020 | | DATE 5/20/08 | | DATE 5/20/08 | | Daniel's DANIELS MANUFACTURING CORP. ORLANDO, FLORIDA CAGE 11851 | |
| | | FINISH | | APPL | | DATE | | DATE | | | |
| DO NOT SCALE DRAWING | | | | | | | | | | TITLE G0/NO-G0 GAGE ENVELOPE DRAWING | |
| | | | | APPL | | DATE | | DATE | | WIRE USED: SIZE B SCALE NTS POSTING P/A G693-ENV | |
| | | | | APPL | | DATE | | DATE | | SHEET 1 OF 1 REV 1 | |