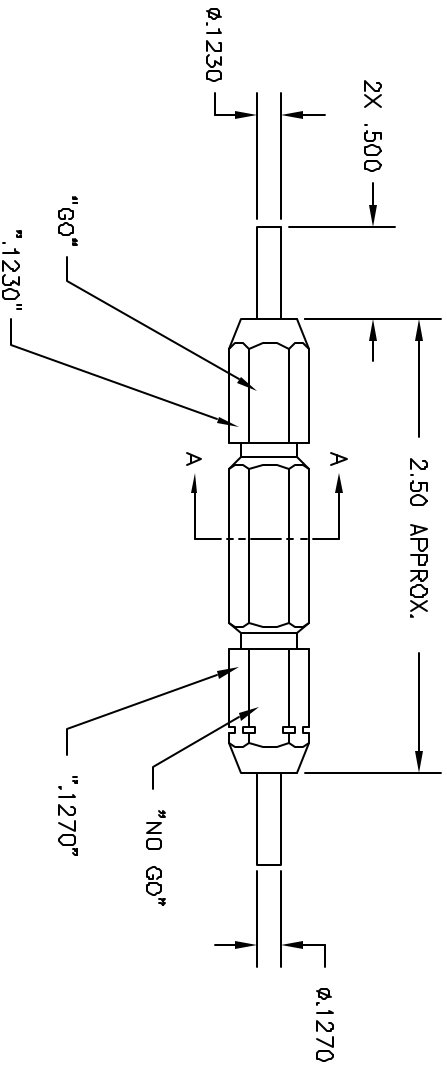


REVISIONS		REV.	DATE	BY	DATE
1	ORIGINAL RELEASE	11/27/97			

"DANIELS-USA G691"  
 "CAGE 11851"  
 "USE WITH DBS-CG2"

SECTION A-A



**UNCONTROLLED DOCUMENT  
 WILL NOT BE UPDATED**

RESTRICTED & CONFIDENTIAL		MATERIAL		ITEM		PART NO.		QTY.		DESCRIPTION/REMARKS	
CONFIDENTIAL PROPERTY OF DANIELS MANUFACTURING CORP. NOT TO BE DISCLOSED TO OTHERS, REPRODUCED OR USED FOR ANY OTHER PURPOSES WITHOUT THE WRITTEN PERMISSION OF DANIELS MANUFACTURING CORP. ON COMPLETION OF ORDER OR OTHER PURPOSE FOR WHICH INTENT.		HEAT TREAT		DANIELS MANUFACTURING CORP.		DANIELS MANUFACTURING CORP.		DANIELS MANUFACTURING CORP.		DANIELS MANUFACTURING CORP.	
		FINISH		DANIELS MANUFACTURING CORP.		DANIELS MANUFACTURING CORP.		DANIELS MANUFACTURING CORP.		DANIELS MANUFACTURING CORP.	
DO NOT SCALE DRAWING		FINISH		DANIELS MANUFACTURING CORP.		DANIELS MANUFACTURING CORP.		DANIELS MANUFACTURING CORP.		DANIELS MANUFACTURING CORP.	
NOTE:		DRAWING OF THE REBROGIVE AND PART NUMBER INDICATED. ACTUAL DIM PART NUMBER IS DRAWING THE "ENV" SUFFIX		DANIELS MANUFACTURING CORP.		DANIELS MANUFACTURING CORP.		DANIELS MANUFACTURING CORP.		DANIELS MANUFACTURING CORP.	
WEIGHT US200		SCALE		DANIELS MANUFACTURING CORP.		DANIELS MANUFACTURING CORP.		DANIELS MANUFACTURING CORP.		DANIELS MANUFACTURING CORP.	
B		NTS		DANIELS MANUFACTURING CORP.		DANIELS MANUFACTURING CORP.		DANIELS MANUFACTURING CORP.		DANIELS MANUFACTURING CORP.	
G691-ENV		G691-ENV		DANIELS MANUFACTURING CORP.		DANIELS MANUFACTURING CORP.		DANIELS MANUFACTURING CORP.		DANIELS MANUFACTURING CORP.	
G691-ENV		G691-ENV		DANIELS MANUFACTURING CORP.		DANIELS MANUFACTURING CORP.		DANIELS MANUFACTURING CORP.		DANIELS MANUFACTURING CORP.	
1		1		DANIELS MANUFACTURING CORP.		DANIELS MANUFACTURING CORP.		DANIELS MANUFACTURING CORP.		DANIELS MANUFACTURING CORP.	