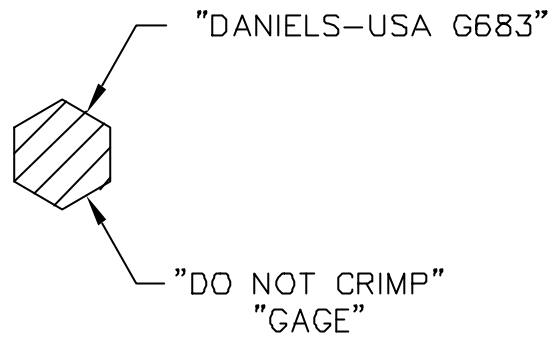
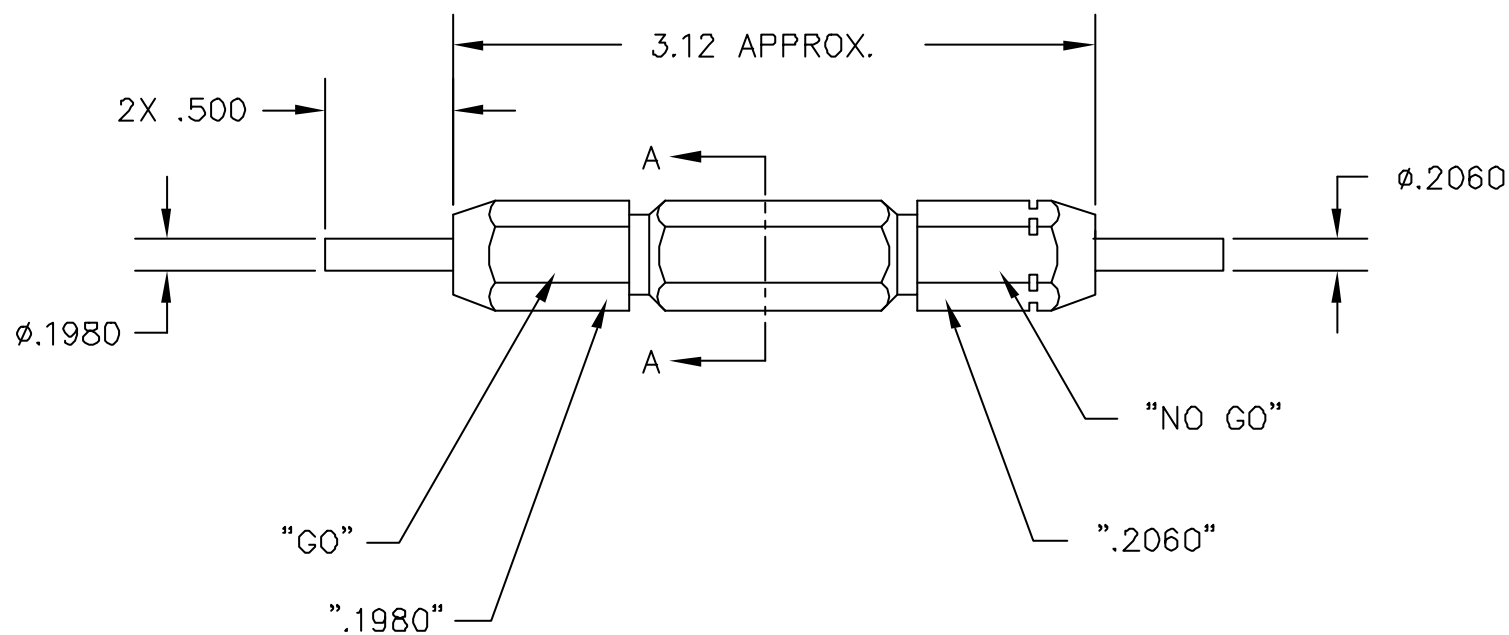


REVISIONS				
REV. SYM.	E.C.O. NUMBER	DESCRIPTION	BY DATE	APP'D DATE
1		ORIGINAL RELEASE	JWJ 11/13/00	RRR 11/13/00



SECTION A-A



**UNCONTROLLED DOCUMENT
WILL NOT BE UPDATED**

RESTRICTED & CONFIDENTIAL		MATERIAL		ITEM	PART NO.	QTY.	DESCRIPTION/REMARKS				
CONFIDENTIAL PROPERTY OF DANIELS MANUFACTURING CORP. NOT TO BE DISCLOSED TO OTHERS, REPRODUCED OR USED FOR ANY OTHER PURPOSE, EXCEPT AS AUTHORIZED IN WRITING BY DANIELS MANUFACTURING. MUST BE RETURNED TO DANIELS MANUFACTURING CORP. ON COMPLETION OF ORDER OR OTHER PURPOSE FOR WHICH LENT.		HEAT TREAT		DRN.	J. JOYCE	DATE	11/13/00				
				CHK'D.	RRR	DATE	11/13/00				
				APP'D.		DATE					
				APP'D.		DATE					
DO NOT SCALE DRAWING		FINISH		NOTE: THIS DRAWING IS AN OUTLINE DRAWING OF THE RESPECTIVE DMC PART NUMBER INDICATED. ACTUAL DMC PART NUMBER IS DRAWING NUMBER WITHOUT THE "-ENV" SUFFIX.							
				WHERE USED:		SIZE	SCALE	CAD P/N	SHEET	OF	
				B		NTS		G683-ENV		1	1
				POSTING		DWG. NO.		G683-ENV		REV.	1

DMC DANIELS MANUFACTURING CORP.
ORLANDO, FLORIDA
CAGE 11851

GO/NO-GO GAGE
ENVELOPE DRAWING