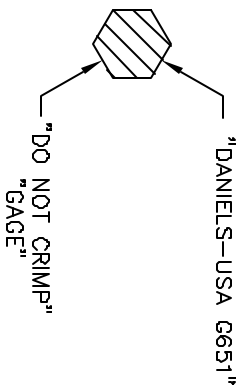
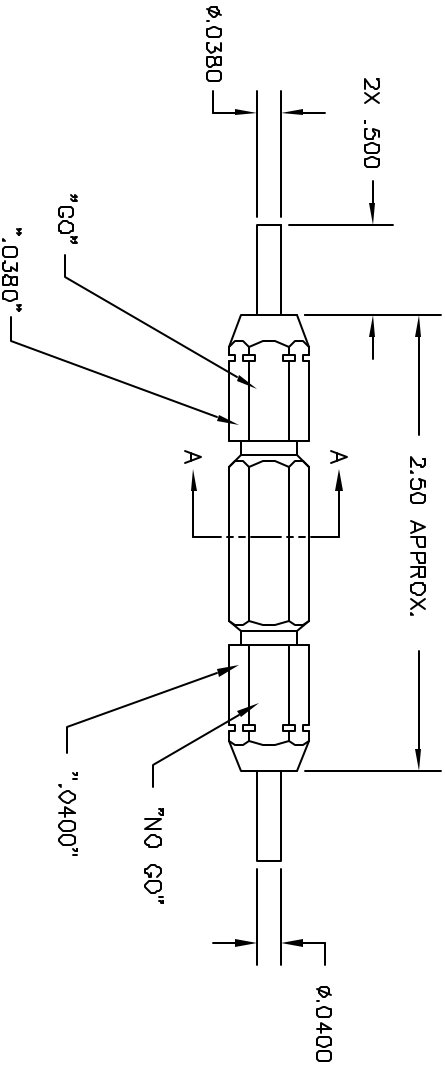



REVISIONS			
REV. NO.	DESCRIPTION	BY DATE	APP'D DATE
1	ORIGINAL RELEASE	JM 1/7/98	RRR 1/7/98



SECTION A-A



**UNCONTROLLED DOCUMENT
WILL NOT BE UPDATED**

RESTRICTED & CONFIDENTIAL CONFIDENTIAL PROPERTY OF DANIELS MANUFACTURING CORP. NOT TO BE DISCLOSED TO OTHERS, REPRODUCED OR TRANSMITTED IN ANY FORM OR BY ANY MEANS, WITHOUT THE WRITTEN PERMISSION OF DANIELS MANUFACTURING CORP. ON COMPLETION OF ORDER OR OTHER PURPOSE FOR WHICH INTD.		MATERIAL		ITEM		PART NO.		QTY.		DESCRIPTION/REMARKS	
		HEAT TREAT		DRN. J. JOYCE		DATE 1/7/98		DATE 1/7/98		 DANIELS MANUFACTURING CORP. ORLANDO, FLORIDA CASE 71851	
DO NOT SCALE DRAWING		FINISH		APPR'D.		DATE		WHERE USED		SHEET 1 OF 1	
								SIZE B SCALE NTS POSTING P/A		G651-ENV G651-ENV REV. 1	