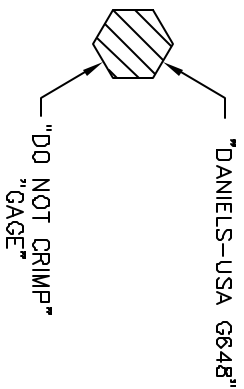
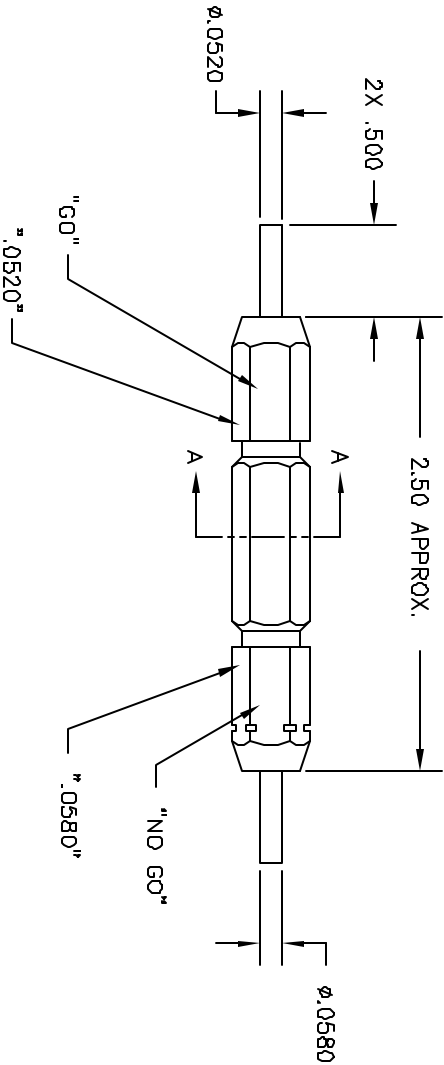


REVISIONS				
REV.	EQ. Q. NUMBER	DESCRIPTION	BY DATE	APP'D DATE
1		ORIGINAL RELEASE	9/20/98	9/20/98



SECTION A-A



**UNCONTROLLED DOCUMENT
WILL NOT BE UPDATED**

RESTRICTED & CONFIDENTIAL		CONFIDENTIAL PROPERTY OF DANIELS MANUFACTURING CORP. NOT TO BE DISCLOSED TO OTHERS, REPRODUCED OR USED FOR ANY OTHER PURPOSE BY DANIELS MANUFACTURING. MUST BE RETURNED TO DANIELS MANUFACTURING OR OTHER PURCHASER FOR WHICH INTENT.	
MATERIAL		FINISH	
HEAT TREAT		FINISH	
ITEM	PART NO.	QTY.	DESCRIPTION/REMARKS
DRN 6648	J. JOYCE RRR	DATE 8/20/98	Daniel's Manufacturing Corp. ORLANDO, FLORIDA CASE 11851
APPRO	DATE	TITLE	
		GO/NO-GO GAGE ENVELOPE DRAWING	
NOTE: THIS DRAWING IS AN OUTLINE DRAWING OF THE RESPECTIVE INDICATED ACTUAL DIM. PART NUMBER IS 6648. THE "-ENV" SUFFIX.			
WIRE SIZE	SCALE	CAD P/N	SHEET
B	NTS	G648-ENV	1
FINISH		DWG. NO.	REV.
		G648-ENV	1

DO NOT SCALE DRAWING