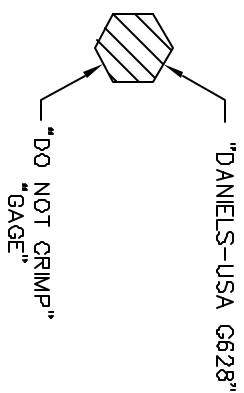
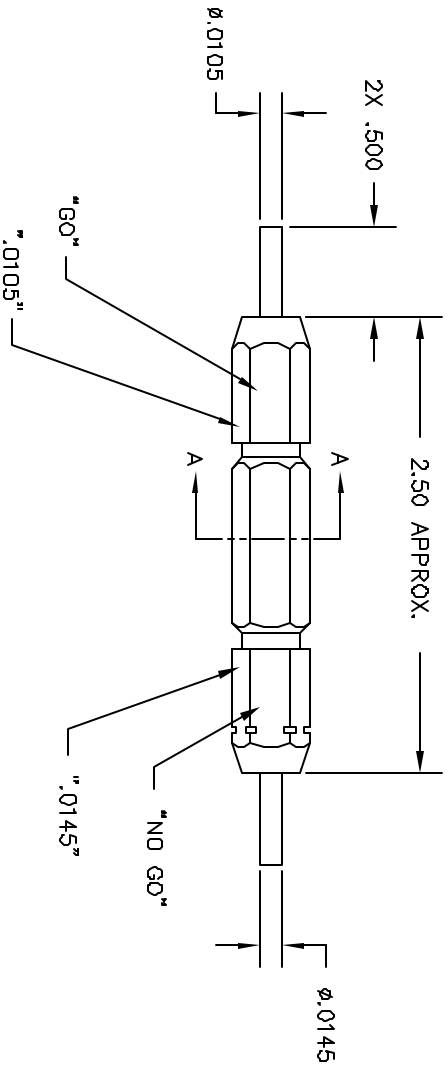


REVISIONS				
REV. STYL.	ECN# NUMBER	DESCRIPTION	BY DATE	APP'D DATE
1		ORIGINAL RELEASE	12/7/00	12/9/00



SECTION A-A



**UNCONTROLLED DOCUMENT
WILL NOT BE UPDATED**

RESTRICTED & CONFIDENTIAL		COMPROMISE PROPERTY OF DANIELS MANUFACTURING CORP. NOT TO BE DISCLOSED TO OTHERS, REPRODUCED OR USED FOR ANY OTHER PURPOSES WITHOUT THE WRITTEN PERMISSION OF DANIELS MANUFACTURING CORP. ON COMPLETION OF ORDER OR OTHER PURPOSE FOR WHICH INTD.	
MATERIAL		FINISH	
HEAT TREAT		DATE	
ITEM	PART NO.	QTY.	DESCRIPTION/REMARKS
DRN J. JOYCE	DATE 12/7/00		
CHK'D RRR	DATE 12/7/00		
APPR'D	DATE		
TITLE		WHERE USED	
GO/NO-GO GAGE ENVELOPE DRAWING		DND P/N G628-ENV	
SIZE	SCALE	SHEET	OF
B	NTS	1	1
POSTING	P/N	G628-ENV	
		REV	1