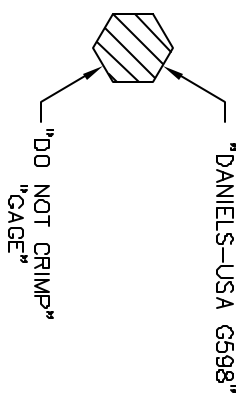
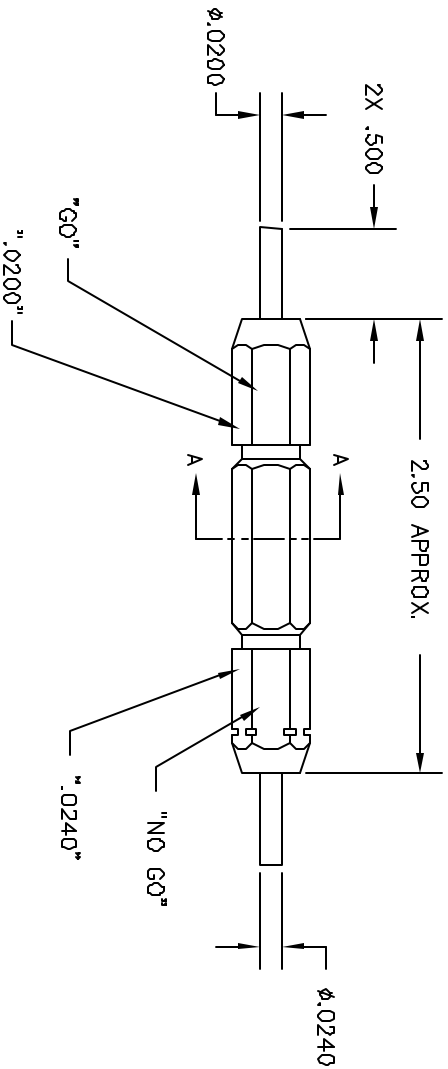


| REVISIONS | | | |
|-----------|------------------|----------|----------|
| REV. NO. | DESCRIPTION | DATE | APPROV'D |
| 1 | ORIGINAL RELEASE | 10/23/02 | 10/23/02 |



SECTION A-A



**UNCONTROLLED DOCUMENT
WILL NOT BE UPDATED**

| RESTRICTED & CONFIDENTIAL | | MATERIAL | | ITEM | | PART NO. | | QTY. | | DESCRIPTION/REMARKS | |
|---|--|------------|--|--------------|--|--------------|--|---|--|--|--|
| CONFIDENTIAL PROPERTY OF DANIELS MANUFACTURING CORP. NOT TO BE REPRODUCED OR COPIED FOR ANY OTHER PURPOSE EXCEPT AS AUTHORIZED IN WRITING BY DANIELS MANUFACTURING. MUST BE RETURNED TO DANIELS MANUFACTURING OR OTHER PURCHASER OR OTHER PERSON FOR WHICH INT. | | HEAT TREAT | | DIN J. JOYCE | | DATE 1/23/02 | | DANIELS MANUFACTURING CORP. ORLANDO, FLORIDA GAGE 17857 | | DMC GD/NO-GO GAGE ENVELOPE DRAWING | |
| | | FINISH | | CHKD. RRR | | DATE | | | | | |
| DO NOT SCALE DRAWING | | | | APPR. DATE | | MIBRE USE: | | DAD P/N | | SHEET 1 OF 1 | |
| | | | | DATE | | SIZE B | | G598-ENV | | REV 1 | |
| | | | | DATE | | SCALE NTS | | P/M | | G598-ENV | |
| | | | | DATE | | POSTING | | G598-ENV | | REV 1 | |