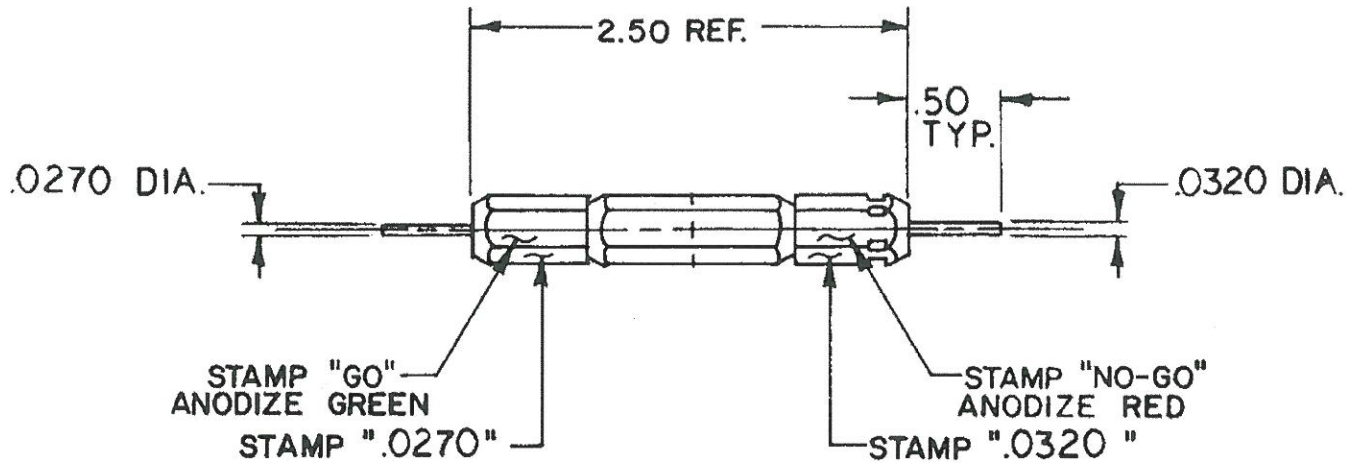


REVISIONS				
REV. SYM.	ECO NO.	DESCRIPTION	BY DATE	APP'D. DATE
A	<i>X</i>	ORIG. RELEASE	<i>BA</i> 10/25/88	<i>X166</i> 10-7-88
B	11367	USA-ADDED	<i>(1255)</i> 1-94	<i>(1255)</i> 1-27-94 DE

**UNCONTROLLED DOCUMENT  
WILL NOT BE UPDATED**

DIMENSIONS IN INCHES-UNLESS OTHERWISE SPECIFIED.



MAT'L. / BK.	ITEM	PART NO.	REQ'D.	DESCRIPTION / REMARKS
SEE NOTES	DRN. <i>BA</i>	DATE 10/25/88	<b>DMC</b>	DANIELS MANUFACTURING CORP. ORLANDO, FLORIDA PSCN 11881
	CHK'D. <i>AS SERVICES</i>	DATE 7/5/86		
HEAT TREAT	APP'D. <i>D. Rylander</i>	DATE 7/6/86	TITLE GAGE GO/NO-GO GAGE SET 88-1870	
FINISH	APP'D.	DATE	WHERE USED: MH870 SET NO. 3	
	Unless otherwise specified TOLERANCE Fractions 1/2 Angle 1/2 Decimals .X: ±.020 -.XX: ±.010 .XXX: ±.005 -.XXXX: ±.0005 REMOVE BURRS & BREAK SHARP EDGES .005-.015		SIZE A	SCALE FULL
	POSTING <i>AW</i>	P/N	G541-ENV	
				REV. <b>B</b>