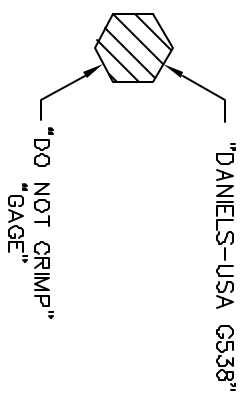
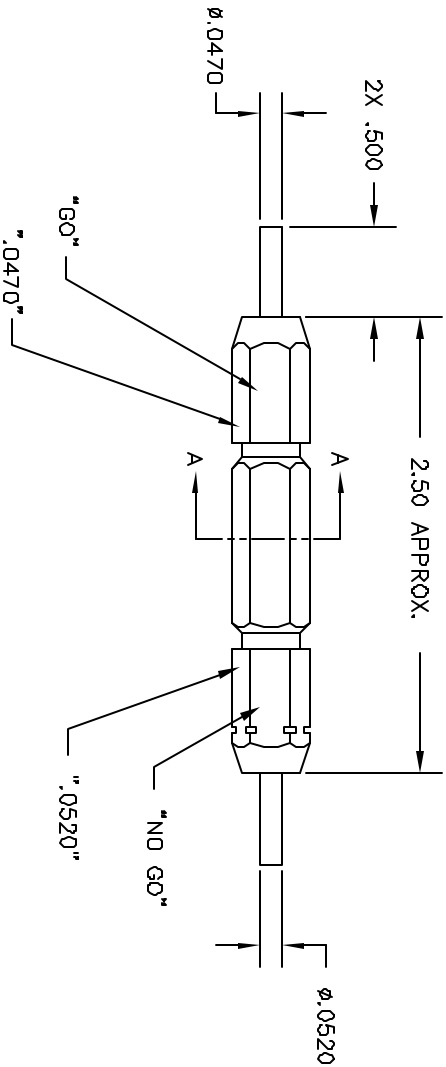


REVISIONS		REV.	DATE	BY	APP'D
1	ORIGINAL RELEASE	9/20/97			



SECTION A-A



**UNCONTROLLED DOCUMENT
WILL NOT BE UPDATED**

RESTRICTED & CONFIDENTIAL		MATERIAL		ITEM		PART NO.		QTY.		DESCRIPTION/REMARKS	
CONFIDENTIAL PROPERTY OF DANIELS MANUFACTURING CORP. NOT TO BE DISCLOSED TO OTHERS, REPRODUCED OR USED FOR ANY OTHER PURPOSE EXCEPT AS AUTHORIZED BY DANIELS MANUFACTURING CORP. ON COMPLETION OF ORDER OR OTHER PURPOSE FOR WHICH INT.		HEAT TREAT		DIN 9. DEPARVA 9/2/97		DATE		DATE		Daniel's Manufacturing Corp. DANIELS MANUFACTURING CORP. ORLANDO, FLORIDA CASE 17851	
		FINISH		APPL. DATE		DATE		DATE			
DO NDT SCALE DRAWING				NOTE: THIS DRAWING IS IN QUANTUM DRAWING OF THE RESPECTIVE DIM PART NUMBER AND INDICATED ACTUAL DIM PART NUMBER IS DRAWING THE "-ENV" SUFFIX.		WHERE USED SIZE SCALE B NTS		DIM. NO. G538-ENV SHEET 1 OF 1		DIM. NO. G538-ENV REV. 1	