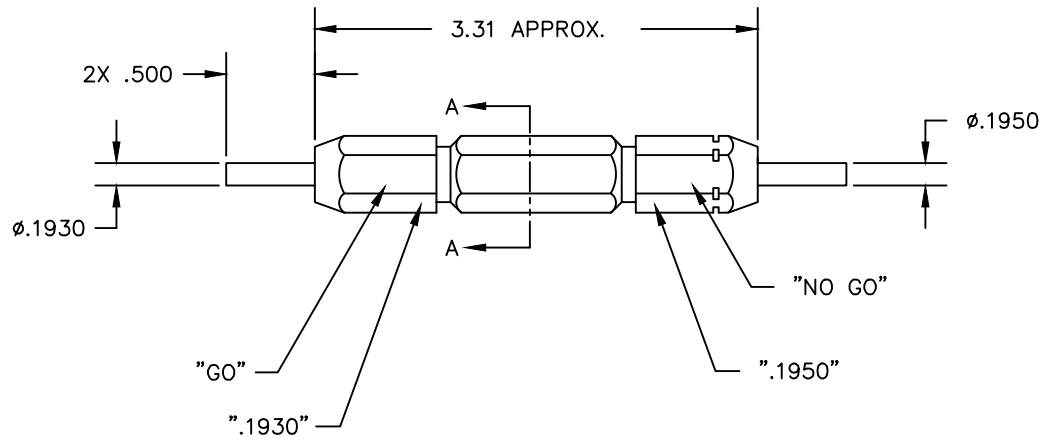



SECTION A-A



REVISIONS				
REV. SYM.	E.C.O. NUMBER	DESCRIPTION	BY DATE	APP'D DATE
1		ORIGINAL RELEASE	DVC 10/24/94	DE 10/94
2		NOGO WAS .1940	ENF 10/24/13	RRR 10/24/13

**UNCONTROLLED DOCUMENT
WILL NOT BE UPDATED**

RESTRICTED & CONFIDENTIAL		MATERIAL		ITEM	PART NO.	QTY.	DESCRIPTION/REMARKS			
CONFIDENTIAL PROPERTY OF DANIELS MANUFACTURING CORP. NOT TO BE DISCLOSED TO OTHERS, REPRODUCED OR USED FOR ANY OTHER PURPOSE, EXCEPT AS AUTHORIZED IN WRITING BY DANIELS MANUFACTURING. MUST BE RETURNED TO DANIELS MANUFACTURING CORP. ON COMPLETION OF ORDER OR OTHER PURPOSE FOR WHICH LENT.		HEAT TREAT		DRN.	DVC	DATE	 DANIELS MANUFACTURING CORP. ORLANDO, FLORIDA CAGE 11851			
				CHK'D.	DE	DATE				
				APP'D.		DATE				
				APP'D.		DATE				
DO NOT SCALE DRAWING		FINISH		NOTE:			TITLE			
				THIS DRAWING IS AN OUTLINE DRAWING OF THE RESPECTIVE DMC PART NUMBER INDICATED. ACTUAL DMC PART NUMBER IS DRAWING NUMBER WITHOUT THE "-ENV" SUFFIX.			WHERE USED:		SHEET OF	
				SIZE	SCALE	CAD P/N	G524-ENV		1	1
				B	NTS	DWG. NO.	G524-ENV		REV. 2	