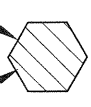


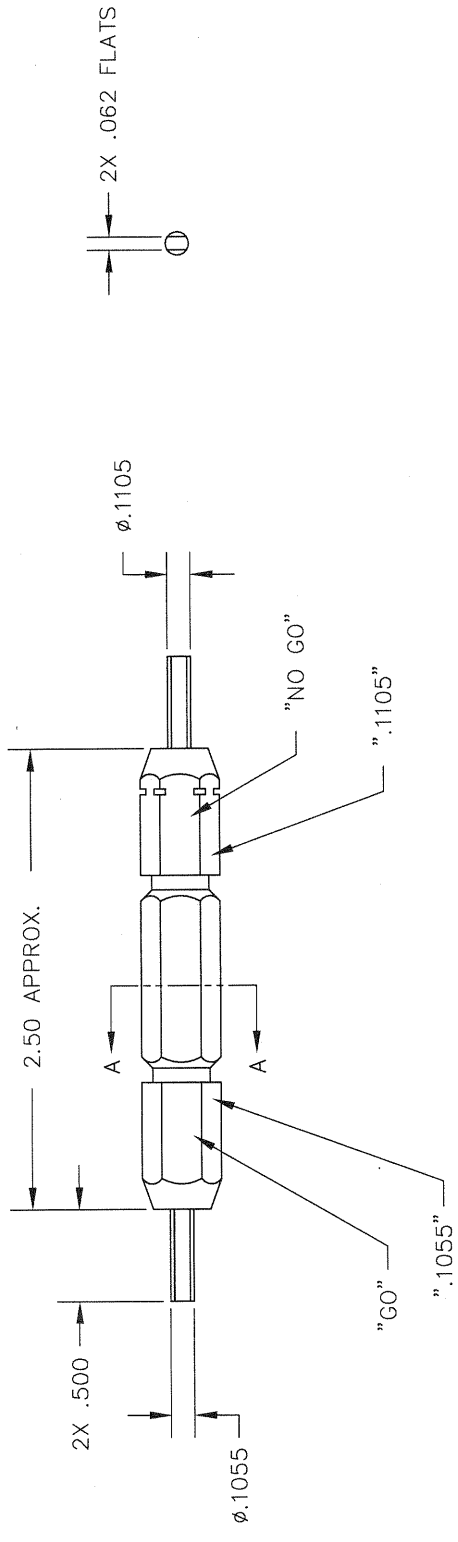
REVISIONS

REV. SYM.	E.C.O. NUMBER	DESCRIPTION	BY DATE	APP'D DATE
1		ORIGINAL RELEASE	WJ 7/18/07	RRR 7/18/07

"DO NOT CRIMP"
"GAGE"




SECTION A-A



RESTRICTED & CONFIDENTIAL
 CONFIDENTIAL PROPERTY OF DANIELS
 MANUFACTURING CORP. NOT TO BE
 DISCLOSED TO OTHERS. REPRODUCED
 OR USED FOR ANY PURPOSES IN WHATEVER
 FORM OR BY ANY MEANS WITHOUT THE
 EXPRESS WRITTEN PERMISSION OF
 DANIELS MANUFACTURING CORP.
 MUST BE RETURNED TO DANIELS
 MANUFACTURING CORP. ON COMPLETION
 OF ORDER OR OTHER PURPOSE FOR
 WHICH LENT.

DO NOT SCALE DRAWING

**UNCONTROLLED DOCUMENT
 WILL NOT BE UPDATED**
 DIMENSIONS IN INCHES - UNLESS OTHERWISE SPECIFIED

ITEM	PART NO.	QTY.	DESCRIPTION/REMARKS
DRN. J. JOYCE	DATE 7/18/07		 DANIELS MANUFACTURING CORP. ORLANDO, FLORIDA GAGE 11851
CHK'D. RRR	DATE 7/18/07		
APP'D.	DATE		
APP'D.	DATE		
TITLE: GO/NO-GO GAGE ENVELOPE DRAWING			
WHERE USED:			
THIS DRAWING IS AN OUTLINE DRAWING OF THE RESPECTIVE DMC PART NUMBER INDICATED. ACTUAL DMC PART NUMBER IS DRAWING NUMBER WITH THE "ENV" SUFFIX.		SIZE: B SCALE: NTS POSTING:	CAD P/N: G519-ENV SHEET 1 OF 1 DMC NO. G519-ENV REV. 1