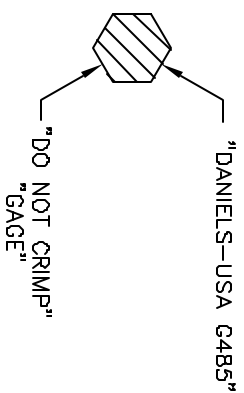
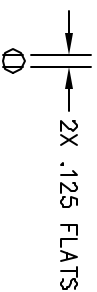
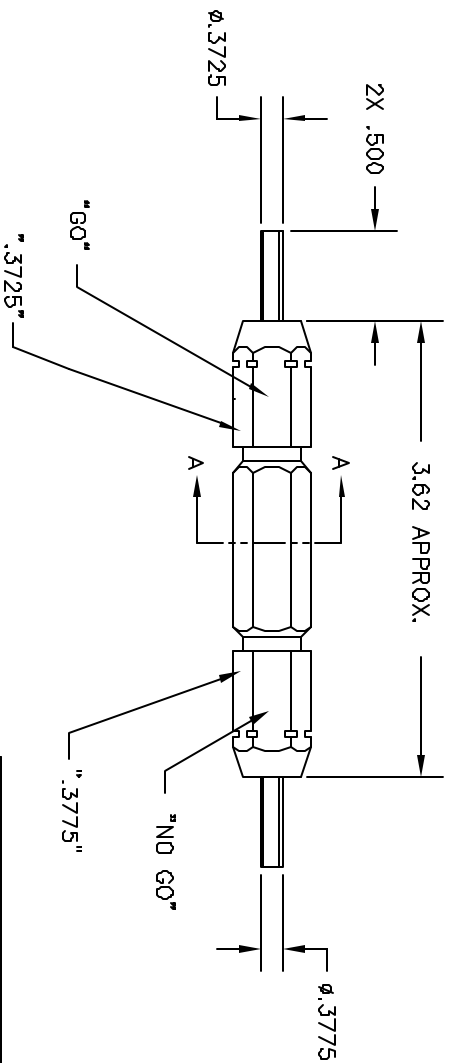


REVISIONS				
REV.	EQD. NUMBER	DESCRIPTION	BY DATE	APP'D DATE
1		ORIGINAL RELEASE	1/5/98	1/5/98



SECTION A-A



**UNCONTROLLED DOCUMENT
WILL NOT BE UPDATED**

RESTRICTED & CONFIDENTIAL		COMPENSATIONAL PROPERTY OF DANIELS MANUFACTURING CORP. NOT TO BE DISCLOSED TO OTHERS, REPRODUCED OR USED FOR ANY OTHER PURPOSES WITHOUT THE WRITTEN PERMISSION OF DANIELS MANUFACTURING. MUST BE RETURNED TO DANIELS MANUFACTURING DEPT. ON COMPLETION OF ORDER OR OTHER PURPOSE FOR WHICH SENT.	
MATERIAL		HEAT TREAT	
FINISH		DO NOT SCALE DRAWING	
ITEM	PART NO.	QTY.	DESCRIPTION/REMARKS
DRN. J. JOYCE	DATE		
QNTD. RRR	DATE		
APPR'D.	DATE		
NOTE: THIS DRAWING IS AN OUTLINE DRAWING OF THE RESPECTIVE DIMS PART NUMBER IS DRAWING PART NUMBER IS DRAWING THE "ENV" SUFFIX.			
WHERE USED		SHEET 1 OF 1	
SIZE	SCALE	REV. 1	
B	NTS	1	
POSTING	ENV P/N	G485-ENV	
	ENV NO.	G485-ENV	



DANIELS MANUFACTURING CORP.
ORLANDO, FLORIDA
CASE 11851

TITLE
GO/NO-GO GAGE
ENVELOPE DRAWING