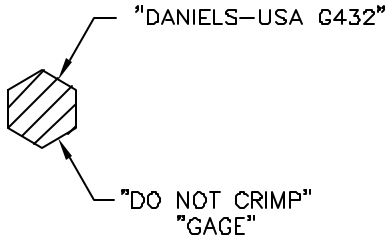
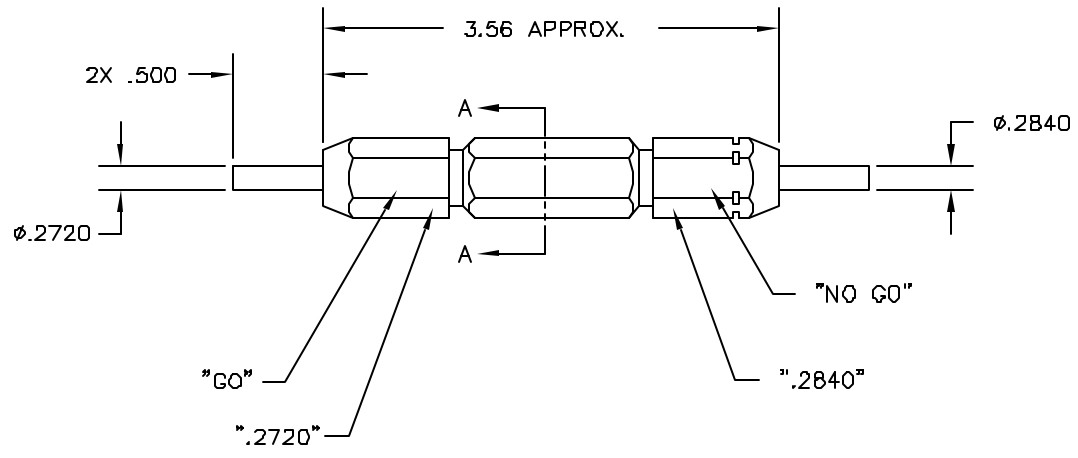



REVISIONS				
REV. SYM.	E.C.O. NUMBER	DESCRIPTION	BY DATE	APP'D DATE
3		REVISED TO MATCH MFG. DWG	JWJ 9/13/01	RRR 9/13/01



SECTION A-A



**UNCONTROLLED DOCUMENT
WILL NOT BE UPDATED**

RESTRICTED & CONFIDENTIAL CONFIDENTIAL PROPERTY OF DANIELS MANUFACTURING CORP. NOT TO BE DISCLOSED TO OTHERS, REPRODUCED OR USED FOR ANY OTHER PURPOSE EXCEPT AS AUTHORIZED IN WRITING BY DANIELS MANUFACTURING. MUST BE RETURNED TO DANIELS MANUFACTURING CORP. ON COMPLETION OF ORDER OR OTHER PURPOSE FOR WHICH LENT.	MATERIAL HEAT TREAT FINISH	ITEM DRN. ED CHK'D. DE	PART NO. DATE 3/28/88 DATE 3/98	QTY.	DESCRIPTION/REMARKS  DANIELS MANUFACTURING CORP. ORLANDO, FLORIDA CAGE 11851
		APP'D. APP'D.	DATE DATE	TITLE GO/NO-GO GAGE ENVELOPE DRAWING	WHERE USED: SIZE B SCALE NTS POSTING
DO NOT SCALE DRAWING					