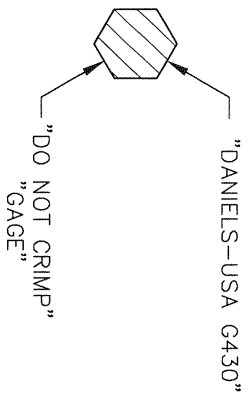
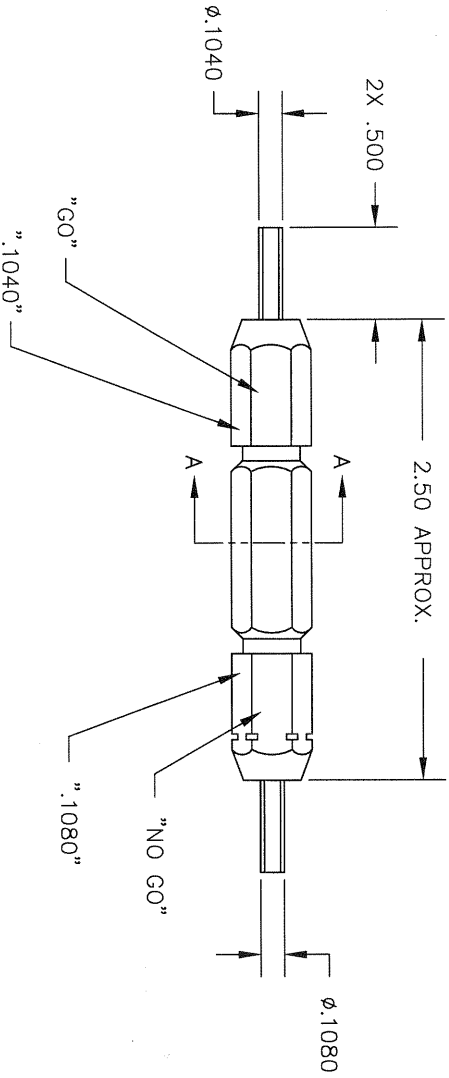



REVISIONS			
REV. SYM.	E.C.O. NUMBER	DESCRIPTION	BY DATE
1		ORIGINAL RELEASE	2/22/08



SECTION A-A



**UNCONTROLLED DOCUMENT
WILL NOT BE UPDATED**

RESTRICTED & CONFIDENTIAL CONFIDENTIAL PROPERTY OF DANIELS MANUFACTURING CORP. NOT TO BE DISCLOSED TO OTHERS, REPRODUCED OR TRANSMITTED IN ANY FORM OR BY ANY MEANS, WITHOUT THE WRITTEN PERMISSION OF DANIELS MANUFACTURING CORP. ON COMPLETION OF ORDER OR OTHER PURPOSE FOR WHICH INT.		MATERIAL		ITEM		PART NO.		QTY.		DESCRIPTION/REMARKS	
		HEAT TREAT		Dwg. <i>Shilworth</i> DATE 2/22/08 CHK'D. DATE		DATE		DATE		 DANIELS MANUFACTURING CORP. ORLANDO, FLORIDA CAGE 11851	
FINISH		APPR'D. DATE		APPR'D. DATE		TITLE		WHERE USED: Y4605		CAD P/N	
DO NOT SCALE DRAWING		NOTE: THIS DRAWING IS AN OUTLINE DRAWING OF THE RESPECTIVE DMC PART NUMBER INDICATED. ACTUAL DMC PART NUMBER IS DRAWING NUMBER AND NOT THE "ENV" SUFFIX.		DRAWING OF THE RESPECTIVE DMC PART NUMBER INDICATED. ACTUAL DMC PART NUMBER IS DRAWING NUMBER AND NOT THE "ENV" SUFFIX.		GO/NO-GO GAGE ENVELOPE DRAWING		G430-ENV		SHEET 1 OF 1	
								G430-ENV		REV. 1	