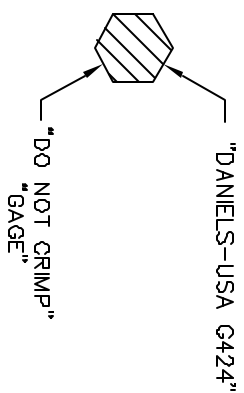
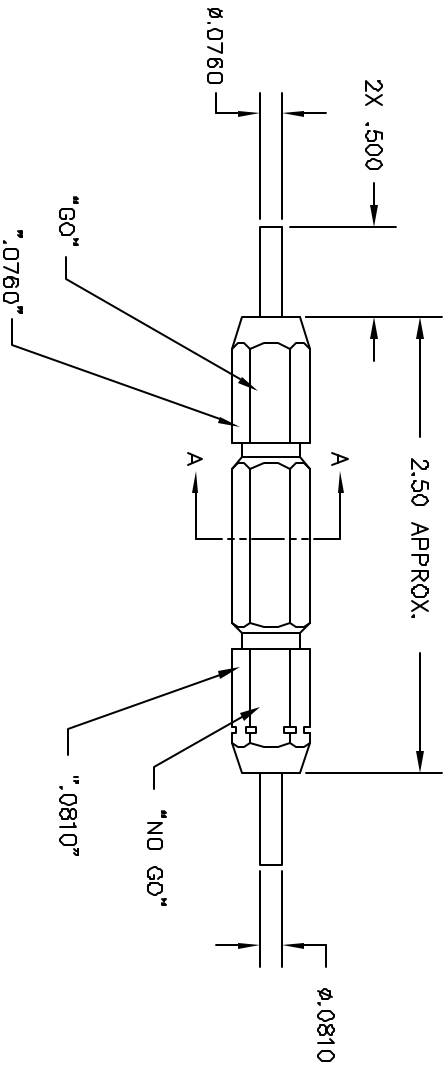


REVISIONS		REV.	DESCRIPTION	DATE	BY	APP'D
1	ORIGINAL RELEASE	1/28/01		1/28/01		1/28/01



SECTION A-A



**UNCONTROLLED DOCUMENT
WILL NOT BE UPDATED**

RESTRICTED & CONFIDENTIAL		COMPROMISE PROPERTY OF DANIELS MANUFACTURING CORP. NOT TO BE DISCLOSED TO OTHERS, REPRODUCED OR USED FOR ANY OTHER PURPOSE BY DANIELS MANUFACTURING CORP. ON COMPLETION OF ORDER OR OTHER PURPOSE FOR WHICH MADE.	
MATERIAL	HEAT TREAT	FINISH	DO NOT SCALE DRAWING
ITEM	PART NO.	QTY.	DESCRIPTION/REMARKS
DRN J. JOYCE	DATE 1/28/01		 DANIELS MANUFACTURING CORP. ORLANDO, FLORIDA CASE 17851
CHK'D RRR	DATE 1/28/01		
APPR'D	DATE		TITLE GO/NO-GO GAGE ENVELOPE DRAWING
WHERE USED	SIZE	SCALE	SHEET
	B	NTS	1 OF 1
POSTING	P/M	G424-ENV	REV 1