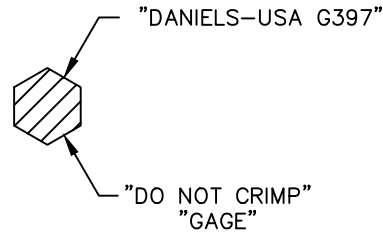


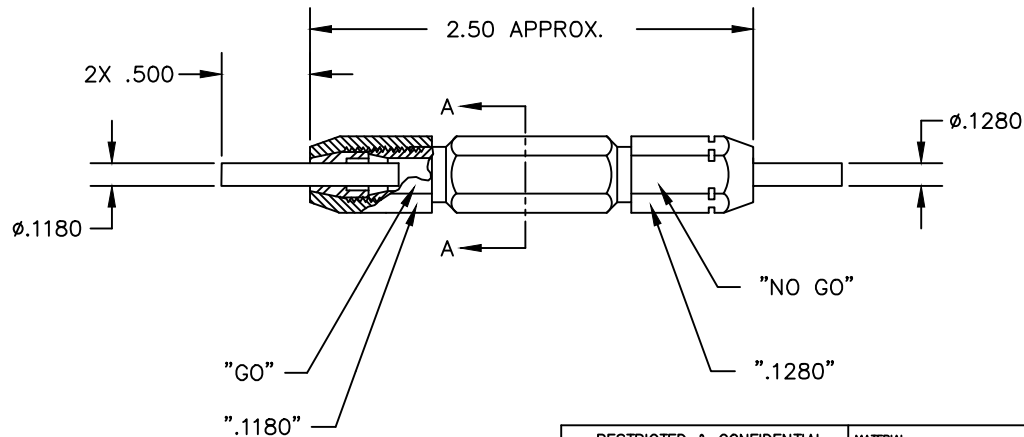
**UNCONTROLLED DOCUMENT
WILL NOT BE UPDATED**

DIMENSIONS IN INCHES - UNLESS OTHERWISE SPECIFIED

REVISIONS				
REV. SYM.	E.C.O. NUMBER	DESCRIPTION	BY DATE	APP'D DATE
1		ORIGINAL RELEASE	K. KOONS 4.22.15	



SECTION A-A



NOTES:

RESTRICTED & CONFIDENTIAL CONFIDENTIAL PROPERTY OF DANIELS MANUFACTURING CORP. NOT TO BE DISCLOSED TO OTHERS, REPRODUCED OR USED FOR ANY OTHER PURPOSE, EXCEPT AS AUTHORIZED IN WRITING BY DANIELS MANUFACTURING. MUST BE RETURNED TO DANIELS MANUFACTURING CORP. ON COMPLETION OF ORDER OR OTHER PURPOSE FOR WHICH LENT.	MATERIAL N/A	ITEM DRN. K. KOONS CHK'D.	PART NO.	QTY.	DESCRIPTION/REMARKS
	HEAT TREAT N/A	DATE 4.22.15			DANIELS MANUFACTURING CORP. ORLANDO, FLORIDA GAGE 11851
	FINISH N/A	DATE			TITLE GO/NO-GO GAGE ENV. DRAWING
DO NOT SCALE DRAWING		NOTE: THIS DRAWING IS AN OUTLINE DRAWING OF THE RESPECTIVE DMC PART NUMBER INDICATED. ACTUAL DMC PART NUMBER IS DRAWING NUMBER WITHOUT THE "-ENV" SUFFIX	SIZE B	SCALE NTS	WHERE USED: DWG. NO. G397-ENV SHEET 1 OF 1 P/N G397 REV. 1