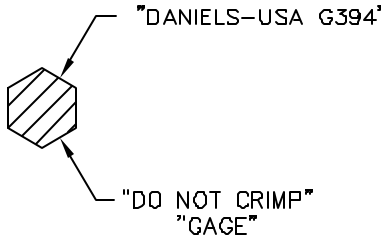
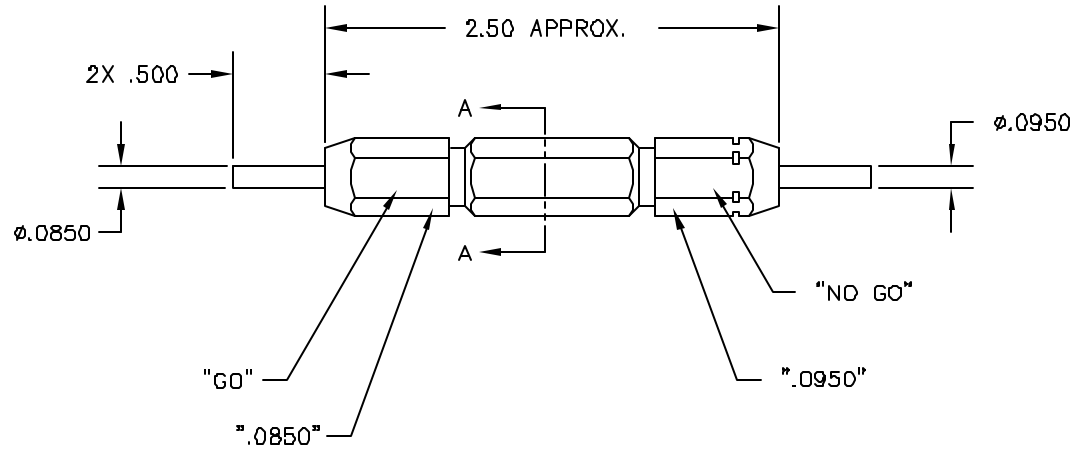


REVISIONS				
REV. BYN.	E.C.G. NUMBER	DESCRIPTION	BY DATE	APP'D DATE
1		ORIGINAL RELEASE	JWJ 8/20/89	RRR 8/20/89



SECTION A-A



**UNCONTROLLED DOCUMENT
WILL NOT BE UPDATED**

RESTRICTED & CONFIDENTIAL CONFIDENTIAL PROPERTY OF DANIELS MANUFACTURING CORP. NOT TO BE DISCLOSED TO OTHERS, REPRODUCED OR USED FOR ANY OTHER PURPOSE, EXCEPT AS AUTHORIZED IN WRITING BY DANIELS MANUFACTURING. MUST BE RETURNED TO DANIELS MANUFACTURING CORP. ON COMPLETION OF ORDER OR OTHER PURPOSE FOR WHICH LENT.	MATERIAL	ITEM	PART NO.	QTY.	DESCRIPTION/REMARKS
	HEAT TREAT	OPN. J. JOYCE 8/20/89 CHECK RRR 8/20/89 APPL. DATE APPL. DATE			DMC DANIELS MANUFACTURING CORP. ORLANDO, FLORIDA GAGE 11831
DO NOT SCALE DRAWING	FINISH	TITLE GO/NO-GO GAGE ENVELOPE DRAWING			
		WHERE USED: M300-BT SEL 4			
		SIZE	SCALE	GAD P/N	SHEET OF
		B	NTS	G394-ENV	1 1
		POSTING	P/N	G394-ENV	REV. 1