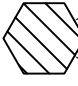
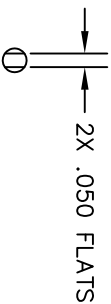
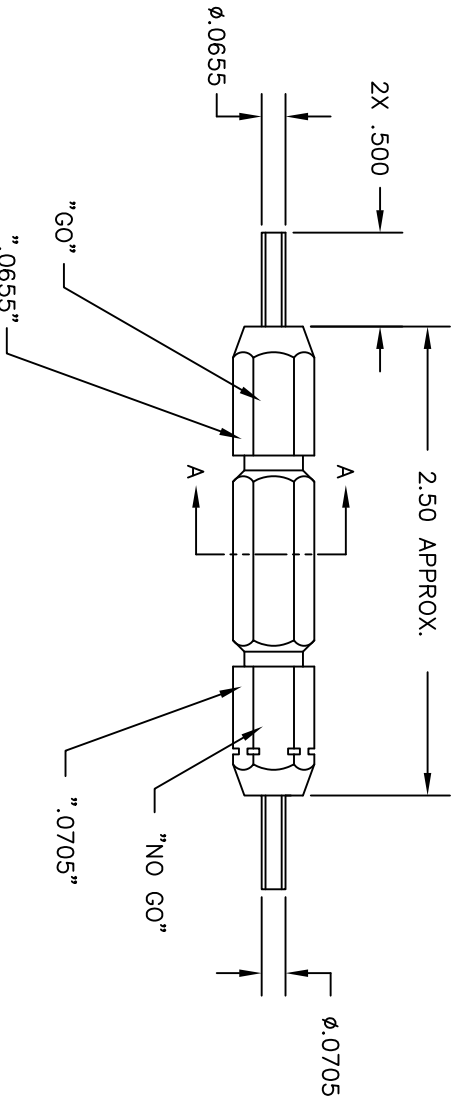


REVISIONS				
REV. SYM.	E.C.O. NUMBER	DESCRIPTION	BY DATE	APP'D DATE
1		ORIGINAL RELEASE	JMO 3/19/07	RRR 3/19/07


"DO NOT CRIMP"  
"GAGE"  
"DANIELS-USA G384"



SECTION A-A



**UNCONTROLLED DOCUMENT  
WILL NOT BE UPDATED**

RESTRICTED & CONFIDENTIAL		MATERIAL		ITEM		PART NO.		QTY.		DESCRIPTION/REMARKS	
CONFIDENTIAL PROPERTY OF DANIELS MANUFACTURING CORP. NOT TO BE DISCLOSED TO OTHERS, REPRODUCED OR USED FOR ANY OTHER PURPOSE, EXCEPT AS AUTHORIZED IN WRITING. DANIELS MANUFACTURING CORP. MUST BE ADVISED IN WRITING OF ANY REPRODUCTION, DISTRIBUTION, OR OTHER PURPOSE FOR WHICH LENT.		HEAT TREAT		DRN. J. JOYCE		3/19/07		 DANIELS MANUFACTURING CORP. ORLANDO, FLORIDA CAGE 11851		GO/NO-GO GAGE ENVELOPE DRAWING	
				CHD. RRR		3/19/07					
DO NOT SCALE DRAWING		FINISH		APP'D.		DATE		WHERE USED:		CAD P/N/	
				APP'D.		DATE		SIZE SCALE POSTING		G384-ENV	
NOTE:		THIS DRAWING IS AN OUTLINE DRAWING OF THE RESPECTIVE DIM PART NUMBER INDICATED. THE DIM PART NUMBER WITHOUT THE "-ENV" SUFFIX.		DATE		DATE		DATE		REV. 1	