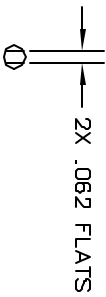
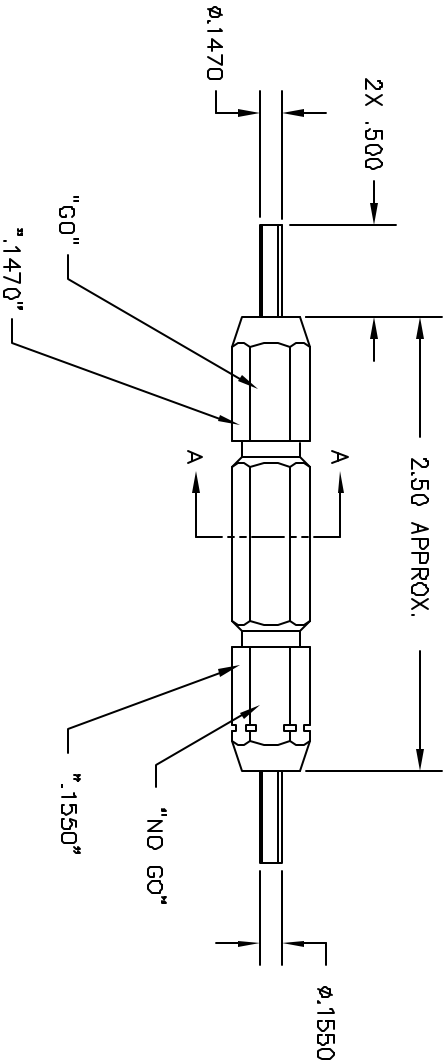
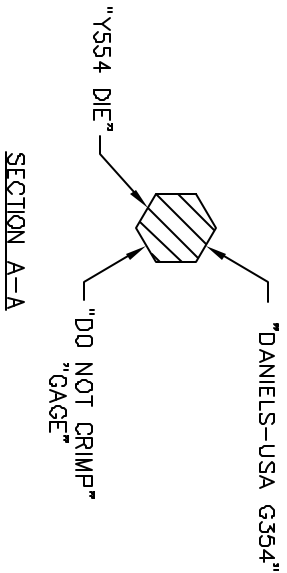


REVISIONS			
REV.	DATE	DESCRIPTION	BY
1	10/29/98	ORIGINAL RELEASE	10/29/98



**UNCONTROLLED DOCUMENT
WILL NOT BE UPDATED**

RESTRICTED & CONFIDENTIAL		COMPETITIVE PROPERTY OF DANIELS MANUFACTURING CORP. OR USED FOR ANY OTHER PURPOSE EXCEPT AS AUTHORIZED IN WRITING BY DANIELS MANUFACTURING.	
MATERIAL		HEAT TREAT	
FINISH		APPROX. DATE	
DO NOT SCALE DRAWING		DATE	
ITEM		DATE	
PART NO.		DATE	
QTY.		DATE	
DESCRIPTION/REMARKS		DATE	
DANIELS MANUFACTURING CORP. ORLANDO, FLORIDA GAGE 11851		DATE	
TITLE		DATE	
G0/NO-G0 GAGE ENVELOPE DRAWING		DATE	
WHOLE USDC		DATE	
SCALE		DATE	
G354-ENV		DATE	
P/M		DATE	
G354-ENV		DATE	
SHEET 1 OF 1		DATE	
REV 1		DATE	