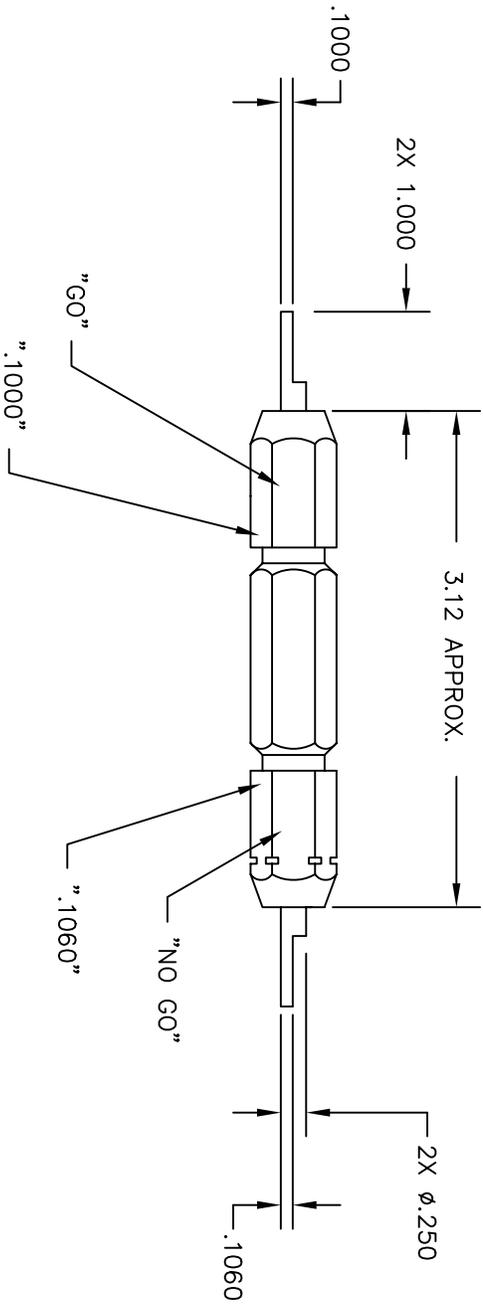
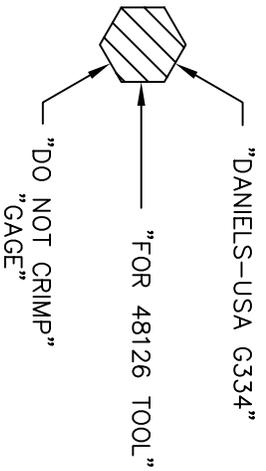


REVISIONS				
REV. SYM.	E.C.O. NUMBER	DESCRIPTION	BY DATE	APP'D. DATE
1		ORIGINAL RELEASE	7-12-97	DE 7-12-97



**UNCONTROLLED DOCUMENT  
WILL NOT BE UPDATED**

RESTRICTED & CONFIDENTIAL CONFIDENTIAL PROPERTY OF DANIELS MANUFACTURING CORP. NOT TO BE DISCLOSED TO OTHERS, REPRODUCED OR USED FOR ANY OTHER PURPOSE, EXCEPT AS AUTHORIZED IN WRITING BY DANIELS MANUFACTURING. MUST BE RETURNED TO DANIELS MANUFACTURING OR, ON COMPLETION OF ORDER WHICH TENT.		MATERIAL		FINISH	
		HEAT TREAT			
DO NOT SCALE DRAWING		ITEM D/R: D.DEPALVA C/K/D: DE APP'D. DATE APP'D. DATE		PART NO. DATE 7-12-97 DATE 7-12-97 DATE	
NOTE: THIS DRAWING IS AN OUTLINE DRAWING. THE RESPECTIVE DIMENSIONS INDICATED ARE ACTUAL DIMENSIONS. PART NUMBER IS DRAWING NUMBER WITHOUT THE "-ENV" SUFFIX.		QTY.		DESCRIPTION/REMARKS <b>Daniel's Manufacturing Corp.</b> ORLANDO, FLORIDA CAGE 11851	
WHERE USED: GO/NO-GO GAGE ENVELOPE DRAWING		TITLE <b>DMC</b> DANIELS MANUFACTURING CORP. ORLANDO, FLORIDA CAGE 11851		CAD P/N G334-ENV SHEET OF 1 OF 1	
SCALE NTS POSTING		DWG. NO. G334-ENV		REV. 1	