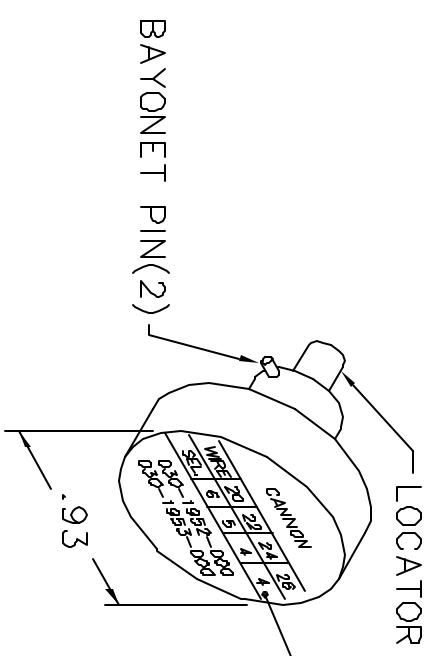
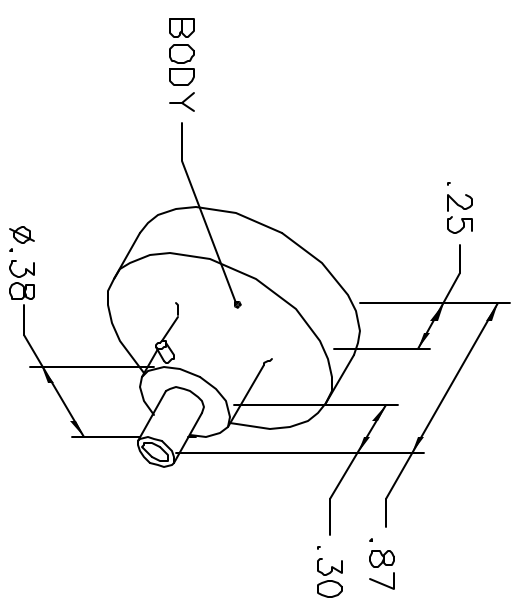


| REVISIONS |               |                  |             |             |
|-----------|---------------|------------------|-------------|-------------|
| REV. SYM. | E.C.O. NUMBER | DESCRIPTION      | BY DATE     | APP'D DATE  |
| 1         |               | ORIGINAL RELEASE | RRR 10-9-02 | RRR 10-9-02 |

**UNCONTROLLED DOCUMENT  
WILL NOT BE UPDATED**



| CANNON       |    |    |    |    |
|--------------|----|----|----|----|
| WIRE         | 20 | 22 | 24 | 26 |
| SEL.         | 6  | 5  | 4  | 4  |
| 030-1952-000 |    |    |    |    |
| 030-1953-000 |    |    |    |    |

NOTE: FOR USE WITH DANIELS CRIMP TOOLS  
ACCOMMODATING "86" SERIES POSITIONERS

|                   |                     |
|-------------------|---------------------|
| LOCATOR           | ADDITIONAL FEATURES |
| HOLE DIMENSIONS   | $\perp$ $\phi .093$ |
| $\perp$ .690 MIN. | $\perp$ .070        |

**RESTRICTED & CONFIDENTIAL**

CONFIDENTIAL PROPERTY OF DANIELS MANUFACTURING CORP. NOT TO BE DISCLOSED TO OTHERS, REPRODUCED OR USED FOR ANY OTHER PURPOSE, EXCEPT AS AUTHORIZED IN WRITING BY DANIELS MANUFACTURING. MUST BE RETURNED TO DANIELS MANUFACTURING CORP. ON COMPLETION OF ORDER OR OTHER PURPOSE FOR WHICH LENT.

DO NOT SCALE DRAWING

|                   |              |
|-------------------|--------------|
| DRN. A. MOO-YOUNG | DATE 10-9-02 |
| CHKD. RRR         | DATE 10-9-02 |
| APP'D.            | DATE         |
| APP'D.            | DATE         |

**DANIELS MANUFACTURING CORP.**  
ORLANDO, FLORIDA  
CAGE 11851

TITLE: ENVELOPE DRAWING POSITIONER

WHERE USED: MHB80

|         |           |                   |              |
|---------|-----------|-------------------|--------------|
| SIZE A  | SCALE NTS | CAD P/N 86-43-ENV | SHEET 1 OF 1 |
| POSTING |           | P/N 86-43-ENV     | REV. 1       |