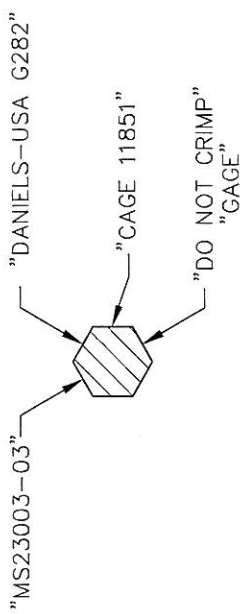
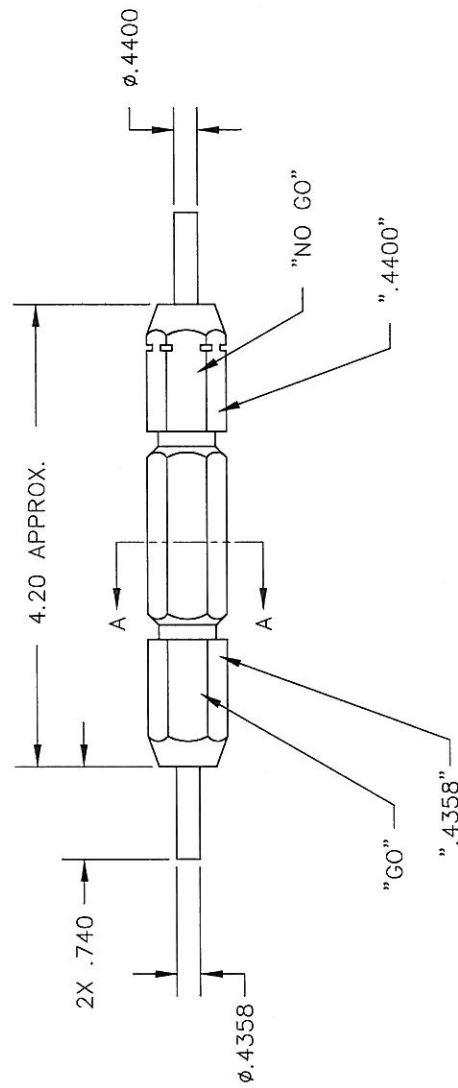


REV. SYM.		E.C.O. NUMBER		REVISIONS		BY DATE		APPD DATE	
1				DESCRIPTION	ORIGINAL RELEASE		7/30/10		



SECTION A-A



ITEM	PART NO.	QTY.	DESCRIPTION/REMARKS
DRN. <i>Geny Dilworth</i>	DATE 7/30/10		DANIELS MANUFACTURING CORP. ORLANDO, FLORIDA CAGE 11851
CHKD.	DATE		
APPD.	DATE		
APPD.	DATE		
NOTE: THIS DRAWING IS AN OUTLINE DRAWING OF THE RESPECTIVE DMC PART NUMBER INDICATED. THIS DRAWING PART NUMBER IS DRAWING NUMBER WITHOUT THE "-ENV" SUFFIX.		WHERE USED: SCALE SIZE POSTING	GAD P/N G282-ENV SHEET 1 OF 1
DO NOT SCALE DRAWING			GO/NO-GO GAGE ENVELOPE DRAWING MS23003-03
			DWG. NO. G282-ENV REV. 1

RESTRICTED & CONFIDENTIAL  
 CONFIDENTIAL PROPERTY OF DANIELS MANUFACTURING CORP. NOT TO BE DISCLOSED TO OTHERS. REPRODUCED OR USED FOR ANY OTHER PURPOSE, EXCEPT AS AUTHORIZED BY DANIELS MANUFACTURING CORP. THIS DRAWING MUST BE RETURNED TO DANIELS MANUFACTURING CORP. ON COMPLETION OF ORDER OR OTHER PURPOSE FOR WHICH LENT.

**UNCONTROLLED DOCUMENT  
 WILL NOT BE UPDATED**  
 DIMENSIONS IN INCHES - UNLESS OTHERWISE SPECIFIED