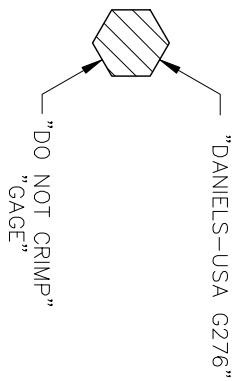
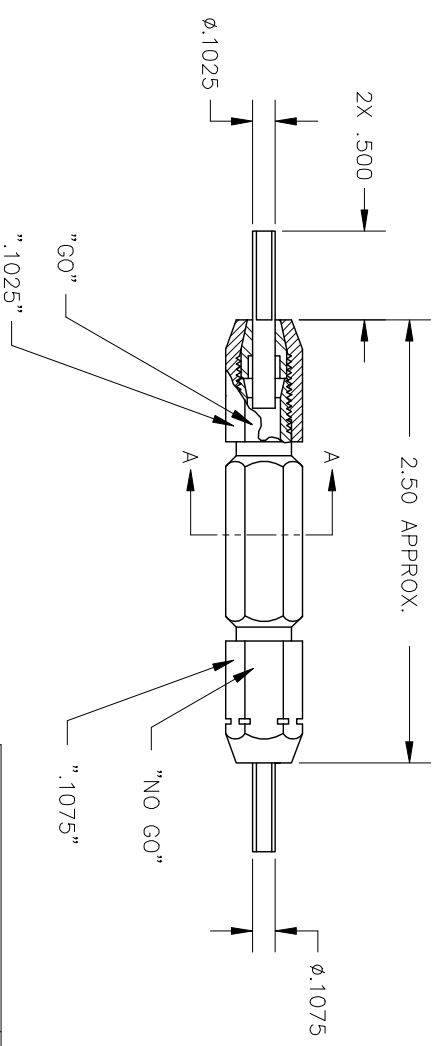


REVISIONS				
REV. NO.	E.C.O. NUMBER	DESCRIPTION	BY DATE	APP'D DATE
1		ORIGINAL RELEASE	K. KOONS 7.31.09	D. EBY 7.31.09



SECTION A-A



**UNCONTROLLED DOCUMENT
WILL NOT BE UPDATED**

RESTRICTED & CONFIDENTIAL		MATERIAL		ITEM		PART NO.		QTY.		DESCRIPTION/REMARKS	
CONFIDENTIAL PROPERTY OF DANIELS MANUFACTURING CORP. NOT TO BE DISCLOSED TO OTHERS, REPRODUCED OR USED FOR ANY OTHER PURPOSE EXCEPT AS AUTHORIZED BY DANIELS MANUFACTURING CORP. MUST BE RETURNED TO DANIELS MANUFACTURING CORP. ON COMPLETION OF ORDER OR OTHER PURPOSE FOR WHICH LENT.		HEAT TREAT		DWN. K. KOONS		DATE 7.31.09		TITLE		DANIELS MANUFACTURING CORP. ORLANDO, FLORIDA GAGE 11851	
FINISH		APP'D.		D. EBY		DATE 7.31.09		WHERE USED:		CAD P/N	
DO NOT SCALE DRAWING		APP'D.		DATE		TOLERANCE: UNLESS OTHERWISE SPECIFIED FRACTIONS 1/32 ANGLES 1/2° DECIMAL INCHES: X.3 ±.020 XX ±.010 XXX ±.005 REMOVE BURS & BREAK SHARP EDGES .005-.015		B		G276-ENV	
								SCALE		SHEET 1 OF 1	
								POSTING		REV. 1	
								P/N		G276-ENV	