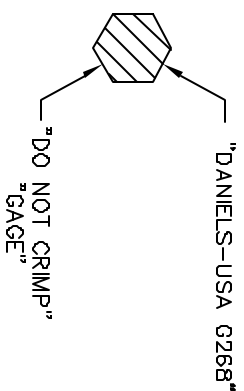
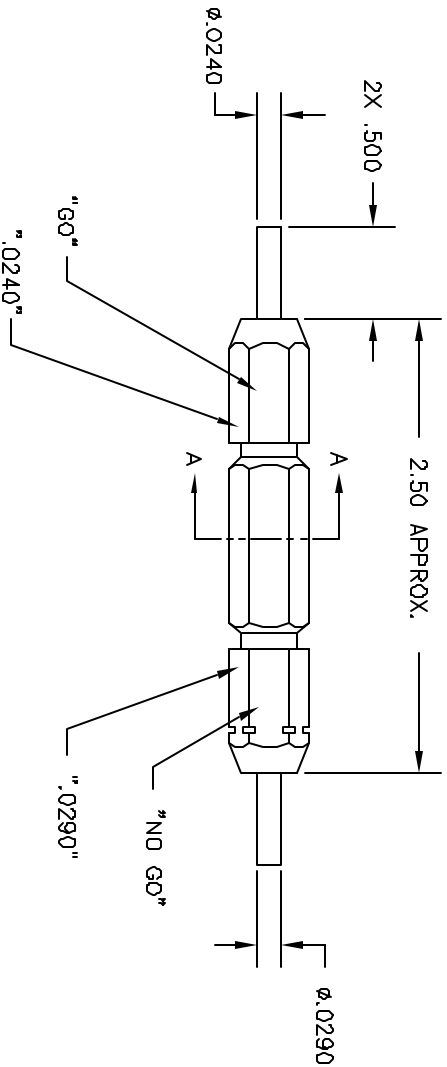


REVISIONS		REV.	EQIB. NUMBER	DESCRIPTION	BY DATE	APPR. DATE
1	1	RRR	RRR	ORIGINAL RELEASE	11/12/02	11/12/02



SECTION A-A



**UNCONTROLLED DOCUMENT
WILL NOT BE UPDATED**

RESTRICTED & CONFIDENTIAL		ITEM		PART NO.		QTY.		DESCRIPTION/REMARKS	
CONFIDENTIAL PROPERTY OF DANIELS MANUFACTURING CORP. NOT TO BE REPRODUCED OR USED IN ANY MANNER EXCEPT AS AUTHORIZED IN WRITING BY DANIELS MANUFACTURING. MUST BE RETURNED TO DANIELS MANUFACTURING FOR WHICH INTENT.		MATERIAL		DATE		DATE		DMC DANIELS MANUFACTURING CORP. ORLANDO, FLORIDA CASE 11851	
		HEAT TREAT		DATE		DATE			
DO NOT SCALE DRAWING		FINISH		DATE		DATE		TITLE GO/NO-GO GAGE ENVELOPE DRAWING	
		WEIGHT US28 52-007		SCALE		CAD P/N		SHEET	
		B		NTS		G268-ENV		OF 1	
		POSTING		9/4		G268-ENV		REV 1	