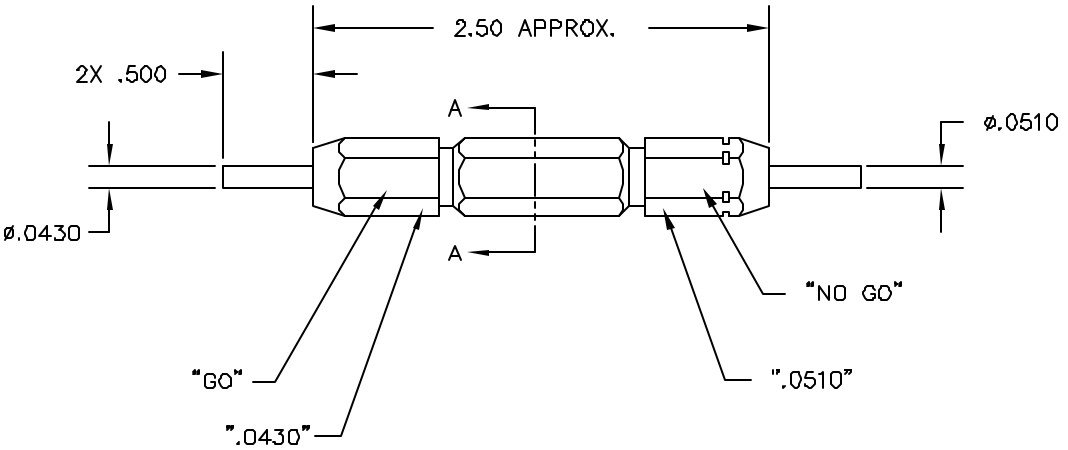
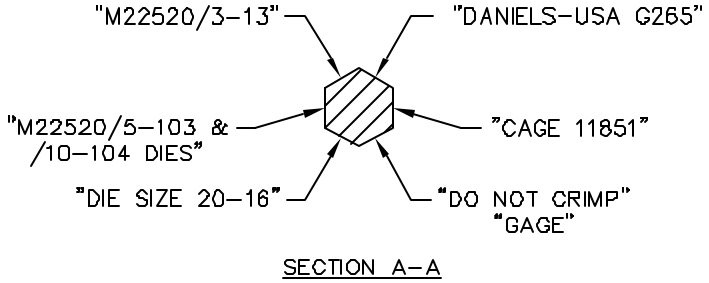


REVISIONS				
REV. SYN.	E.C.D. NUMBER	DESCRIPTION	BY DATE	APP'D DATE
1		ORIGINAL RELEASE	LME 5/20/86	DJR 5/4/86



**UNCONTROLLED DOCUMENT
WILL NOT BE UPDATED**

RESTRICTED & CONFIDENTIAL		MATERIAL		ITEM	PART NO.	QTY.	DESCRIPTION/REMARKS			
CONFIDENTIAL PROPERTY OF DANIELS MANUFACTURING CORP. NOT TO BE DISCLOSED TO OTHERS. REPRODUCED OR USED FOR ANY OTHER PURPOSE EXCEPT AS AUTHORIZED IN WRITING BY DANIELS MANUFACTURING. MUST BE RETURNED TO DANIELS MANUFACTURING CORP. ON COMPLETION OF ORDER OR OTHER PURPOSE FOR WHICH LENT.		HEAT TREAT		DIRL	DATE	DANIELS MANUFACTURING CORP. ORLANDO, FLORIDA CAGE 11851				
				CHK'D.	DATE					
				APP'D.	DATE					
				APP'D.	DATE					
DO NOT SCALE DRAWING		FINISH		LME 5/30/86 MGS 8/2/86 DJR 5/4/86		TITLE GO/NO-GO GAGE ENVELOPE DRAWING (M22520/3-13)				
						WHERE USED:				
						SIZE	SCALE	CAD P/N	SHEET	OF
						B	NTS	G265-ENV	1	1
				P/N		REV.				
				G265-ENV		1				