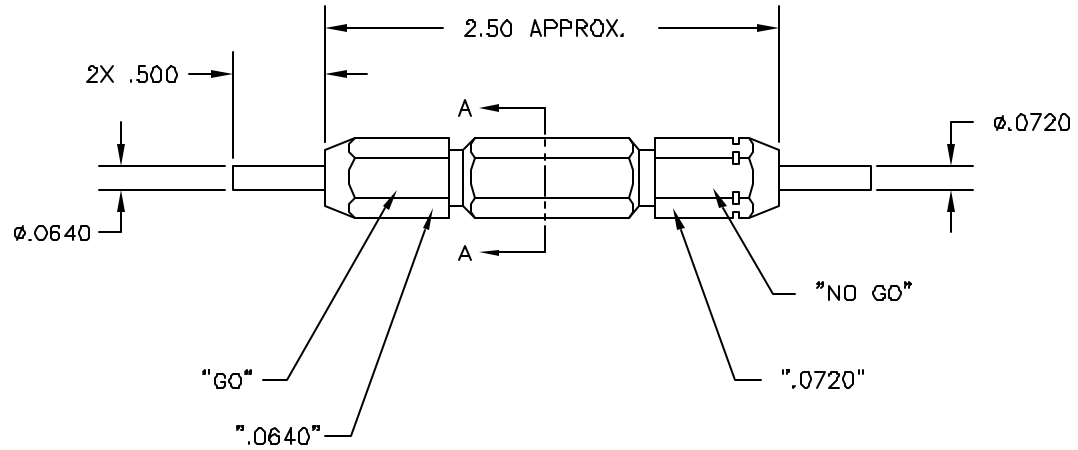
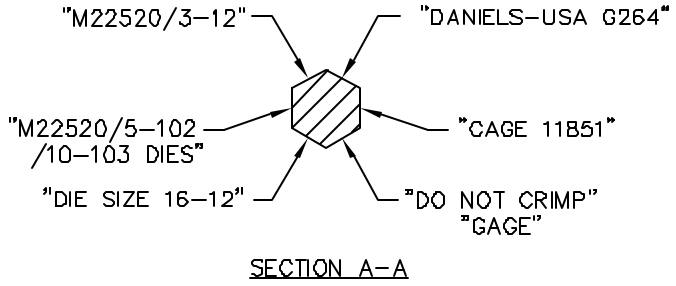


REVISIONS				
REV. SYM.	E.C.D. NUMBER	DESCRIPTION	BY DATE	APP'D DATE
1		ORIGINAL RELEASE	LME 8/28/88	DJR 8/27/88



UNCONTROLLED DOCUMENT  
WILL NOT BE UPDATED

<b>RESTRICTED &amp; CONFIDENTIAL</b> <small>CONFIDENTIAL PROPERTY OF DANIELS MANUFACTURING CORP. NOT TO BE DISCLOSED TO OTHERS, REPRODUCED OR USED FOR ANY OTHER PURPOSE, EXCEPT AS AUTHORIZED IN WRITING BY DANIELS MANUFACTURING. MUST BE RETURNED TO DANIELS MANUFACTURING CORP. ON COMPLETION OF ORDER OR OTHER PURPOSE FOR WHICH LENT.</small>	MATERIAL	ITEM	PART NO.	QTY.	DESCRIPTION/REMARKS
	HEAT TREAT	GRN. LME CHK'D MGS	DATE 8/28/88 DATE 8/28/88		<b>DMC</b> DANIELS MANUFACTURING CORP. ORLANDO, FLORIDA CAGE 11851
FINISH	APP'D. DJR APP'D.	DATE 8/27/88 DATE		TITLE GO/NO-GO GAGE ENVELOPE DRAWING (M22520/3-12)	
DO NOT SCALE DRAWING				WHERE USED: SIZE 8 SCALE NTS POSTING	CAD P/N G264-ENV P/N G264-ENV
				SHEET 1 OF 1 REV. 1	