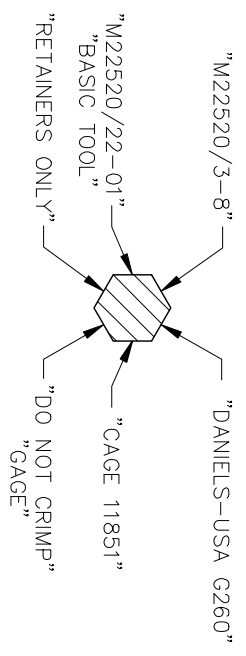
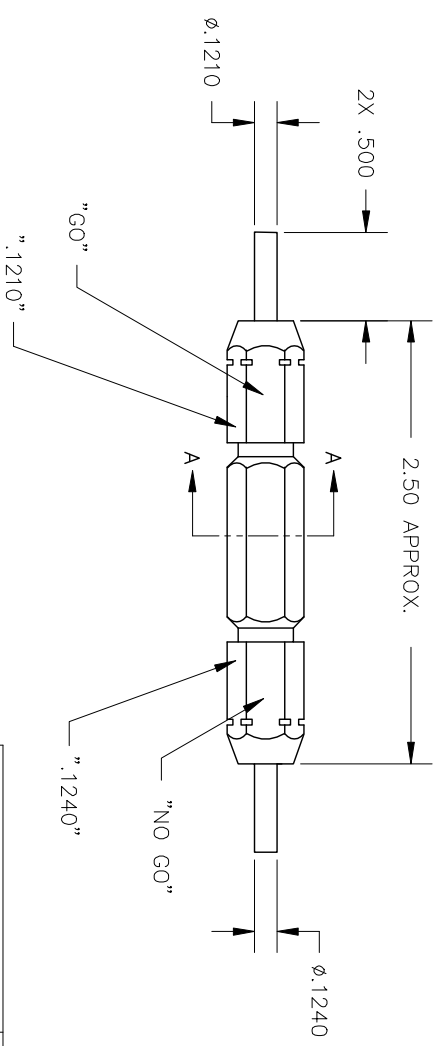


REVISIONS			
REV. STYL. NUMBER	E.C.O. NUMBER	BY DATE	APP'D DATE
1		6/19/09	



SECTION A-A



**UNCONTROLLED DOCUMENT
WILL NOT BE UPDATED**

RESTRICTED & CONFIDENTIAL		MATERIAL		ITEM		PART NO.		QTY.		DESCRIPTION/REMARKS	
CONFIDENTIAL PROPERTY OF DANIELS MANUFACTURING CORP. THIS DOCUMENT IS UNCLASSIFIED AND NOT TO BE DISCLOSED OR USED FOR ANY OTHER PURPOSE EXCEPT AS AUTHORIZED IN WRITING BY DANIELS MANUFACTURING CORP. NO PART OF THIS DOCUMENT IS TO BE REPRODUCED, COPIED, OR TRANSMITTED IN ANY FORM OR BY ANY MEANS, ELECTRONIC OR MECHANICAL, INCLUDING PHOTOCOPYING, RECORDING, OR BY ANY INFORMATION STORAGE AND RETRIEVAL SYSTEM, WITHOUT THE WRITTEN PERMISSION OF DANIELS MANUFACTURING CORP. OR OTHER PURPOSE FOR WHICH INT.		FINISH		DGN. DATE 6/19/09		PART NO.		QTY.		DESCRIPTION/REMARKS	
HEAT TREAT		APP'D. DATE		DGN. DATE 6/19/09		PART NO.		QTY.		DESCRIPTION/REMARKS	
NOTE: THIS DRAWING IS AN OUTLINE DRAWING OF THE RESPECTIVE INDIC PART NUMBER AND PART NUMBER IS DRAWING NUMBER WITHOUT THE "-ENV" SUFFIX.		APP'D. DATE		DGN. DATE 6/19/09		PART NO.		QTY.		DESCRIPTION/REMARKS	
WHERE USED: SCALE B NTS POSTING		APP'D. DATE		DGN. DATE 6/19/09		PART NO.		QTY.		DESCRIPTION/REMARKS	
CAD P/N G260-ENV		APP'D. DATE		DGN. DATE 6/19/09		PART NO.		QTY.		DESCRIPTION/REMARKS	
SHEET 1 OF 1		APP'D. DATE		DGN. DATE 6/19/09		PART NO.		QTY.		DESCRIPTION/REMARKS	
REV. 1		APP'D. DATE		DGN. DATE 6/19/09		PART NO.		QTY.		DESCRIPTION/REMARKS	

DO NOT SCALE DRAWING