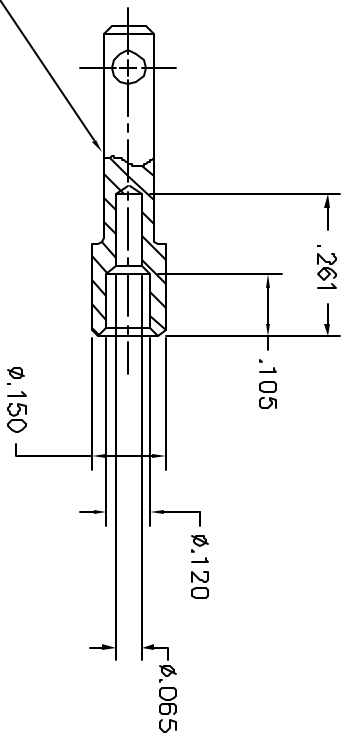
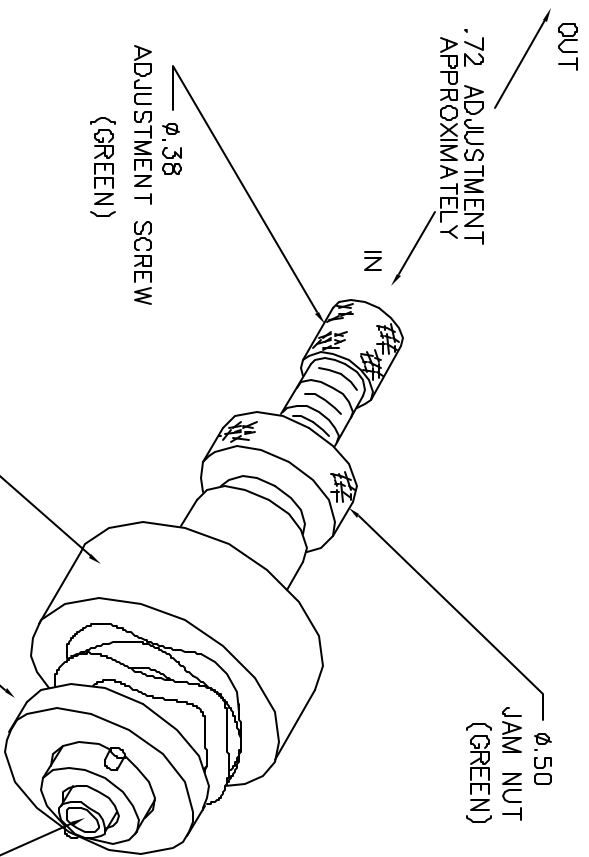


REVISIONS			
REV. NO.	E.C.D. NUMBER	DESCRIPTION	BY DATE APP'D DATE
2		REDESIGNED	MM RRR 2-14-02



**UNCONTROLLED DOCUMENT  
WILL NOT BE UPDATED**

ITEM	PART NO.	QTY.	DESCRIPTION/REMARKS
DRN. AAM	2-18-00		DANIELS MANUFACTURING CORP.
CHKD. RRR	2-18-00		ORLANDO, FLORIDA
APPTD.	DATE		CAGE 71857
APPTD.	DATE		

RESTRICTED & CONFIDENTIAL

CONSEQUENTIAL PROPERTY OF DANIELS MANUFACTURING CORP. NOT TO BE DISCLOSED TO OTHERS, REPRODUCED OR USED FOR ANY OTHER PURPOSE EXCEPT AS AUTHORIZED IN WRITING BY DANIELS MANUFACTURING. MUST BE RETURNED TO DANIELS MANUFACTURING CORP. ON COMPLETION OF ORDER OR OTHER PURCHASE FOR WHICH LEN.

DO NOT SCALE DRAWING

WHERE USED: NH860

TITLE: ENVELOPE DRAWING  
UNIVERSAL POSITIONER

SIZE	SCALE	CAD P/N	SHEET	OF
B	NTS	86-37-ENV	1	1
POSTING		P/N	REV.	
		86-37-ENV	2	