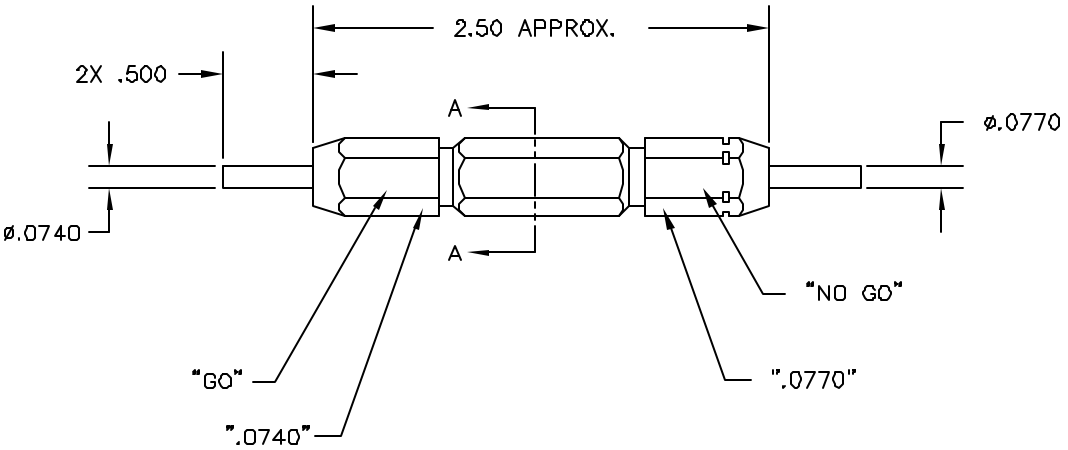
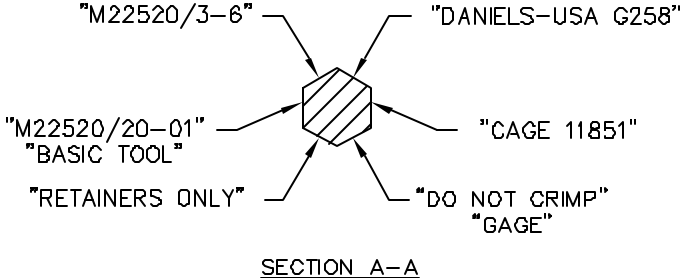



REVISIONS				
REV. SYN.	E.C.D. NUMBER	DESCRIPTION	BY DATE	APP'D DATE
1		ORIGINAL RELEASE	JWJ 10/12/00	RRR 10/12/00



**UNCONTROLLED DOCUMENT
WILL NOT BE UPDATED**

RESTRICTED & CONFIDENTIAL		MATERIAL		ITEM	PART NO.	QTY.	DESCRIPTION/REMARKS		
CONFIDENTIAL PROPERTY OF DANIELS MANUFACTURING CORP. NOT TO BE DISCLOSED TO OTHERS, REPRODUCED OR USED FOR ANY OTHER PURPOSE, EXCEPT AS AUTHORIZED IN WRITING BY DANIELS MANUFACTURING CORP. MUST BE RETURNED TO DANIELS MANUFACTURING CORP. ON COMPLETION OF ORDER OR OTHER PURPOSE FOR WHICH LENT.		HEAT TREAT		DRN J. JOYCE	DATE 10/12/00	 DANIELS MANUFACTURING CORP. ORLANDO, FLORIDA CAGE 11851			
		FINISH		CHK'D RRR	DATE 10/12/00				
		DO NOT SCALE DRAWING				APP'D.	DATE	TITLE GO/NO-GO GAGE ENVELOPE DRAWING	
						APP'D.	DATE	WHERE USED: SIZE B SCALE NTS CAD P/N G258-ENV SHEET 1 OF 1 POSTING P/N G258-ENV REV. 1	