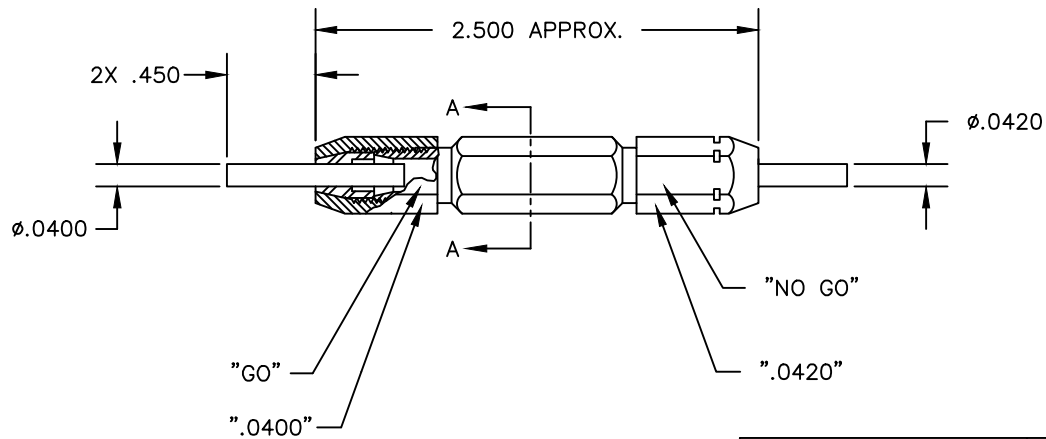


| REVISIONS |               |                  |                     |            |
|-----------|---------------|------------------|---------------------|------------|
| REV. SYM. | E.C.O. NUMBER | DESCRIPTION      | BY DATE             | APP'D DATE |
| 1         |               | ORIGINAL RELEASE | K. KOONS<br>11.6.14 |            |



**UNCONTROLLED DOCUMENT  
WILL NOT BE UPDATED**  
DIMENSIONS IN INCHES - UNLESS OTHERWISE SPECIFIED

NOTES:

|   |            |   |          |             |                     |  |       |    |
|---|------------|---|----------|-------------|---------------------|--|-------|----|
| <b>RESTRICTED &amp; CONFIDENTIAL</b><br>CONFIDENTIAL PROPERTY OF DANIELS MANUFACTURING CORP. NOT TO BE DISCLOSED TO OTHERS, REPRODUCED OR USED FOR ANY OTHER PURPOSE, EXCEPT AS AUTHORIZED IN WRITING BY DANIELS MANUFACTURING. MUST BE RETURNED TO DANIELS MANUFACTURING CORP. ON COMPLETION OF ORDER OR OTHER PURPOSE FOR WHICH LENT. | MATERIAL   | ITEM  | PART NO. | QTY.        | DESCRIPTION/REMARKS |  |       |    |
|   | HEAT TREAT | DRN.  | K. KOONS | DATE        | 11.6.14             |  |       |    |
|   |            | CHK'D.  |          | DATE        |                     |  |       |    |
|   | FINISH     | APP'D.  |          | DATE        |                     | <b>DMC</b> DANIELS MANUFACTURING CORP.<br>ORLANDO, FLORIDA<br>GAGE 11851 |       |    |
| APP'D.  |            |   | DATE     |             |                     |  |       |    |
| DO NOT SCALE DRAWING  |            | NOTE:   |          | WHERE USED: |                     |  |       |    |
|   |            | THIS DRAWING IS AN OUTLINE DRAWING OF THE RESPECTIVE DMC PART NUMBER INDICATED. ACTUAL DMC PART NUMBER IS DRAWING NUMBER WITHOUT THE "-ENV" SUFFIX. |          | SIZE        | SCALE               | DWG. NO.   | SHEET | OF |
|   |            |   |          | B           | NTS                 | G254-ENV   | 1     | 1  |
|   |            |   |          | POSTING     | P/N                 | G254-ENV   | REV.  | 1  |