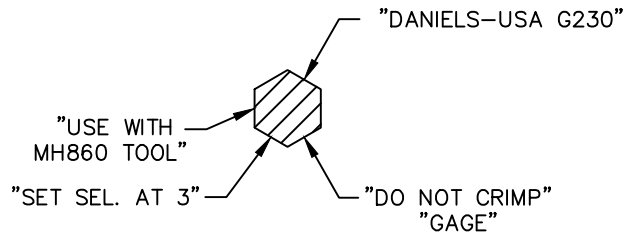
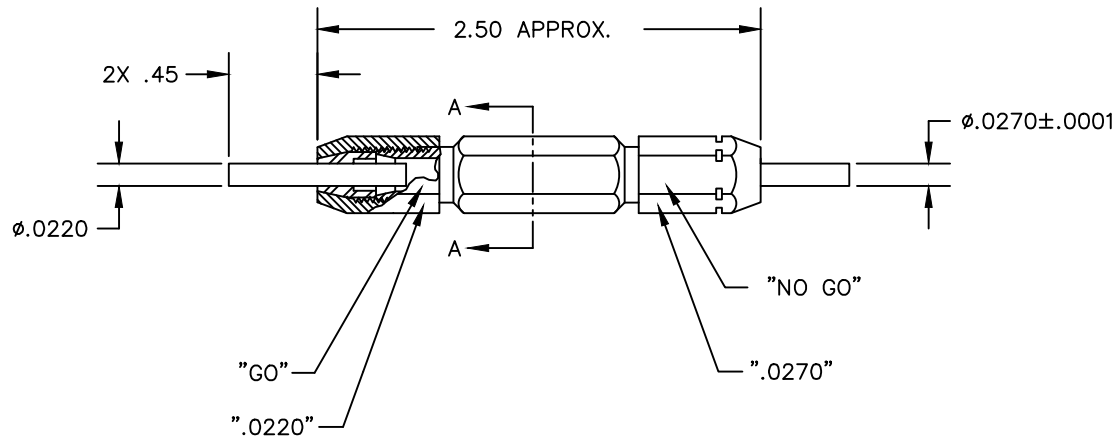


REVISIONS				
REV. SYM.	E.C.O. NUMBER	DESCRIPTION	BY DATE	APP'D DATE
1		ORIGINAL RELEASE	K. KOONS 4.15.15	




SECTION A-A



**UNCONTROLLED DOCUMENT  
 WILL NOT BE UPDATED**  
 DIMENSIONS IN INCHES - UNLESS OTHERWISE SPECIFIED

NOTES:

<b>RESTRICTED &amp; CONFIDENTIAL</b>  CONFIDENTIAL PROPERTY OF DANIELS MANUFACTURING CORP. NOT TO BE DISCLOSED TO OTHERS, REPRODUCED OR USED FOR ANY OTHER PURPOSE, EXCEPT AS AUTHORIZED IN WRITING BY DANIELS MANUFACTURING. MUST BE RETURNED TO DANIELS MANUFACTURING CORP. ON COMPLETION OF ORDER OR OTHER PURPOSE FOR WHICH LENT.	MATERIAL	N/A	ITEM	PART NO.	QTY.	DESCRIPTION/REMARKS
	HEAT TREAT	N/A	DRN. K. KOONS	DATE 4.15.15		 DANIELS MANUFACTURING CORP. ORLANDO, FLORIDA GAGE 11851
	FINISH	N/A	CHK'D.	DATE		
	DO NOT SCALE DRAWING			APP'D.	DATE	

NOTE:  
 THIS DRAWING IS AN OUTLINE DRAWING OF THE RESPECTIVE DMC PART NUMBER INDICATED. ACTUAL DMC PART NUMBER IS DRAWING NUMBER WITHOUT THE "-ENV" SUFFIX