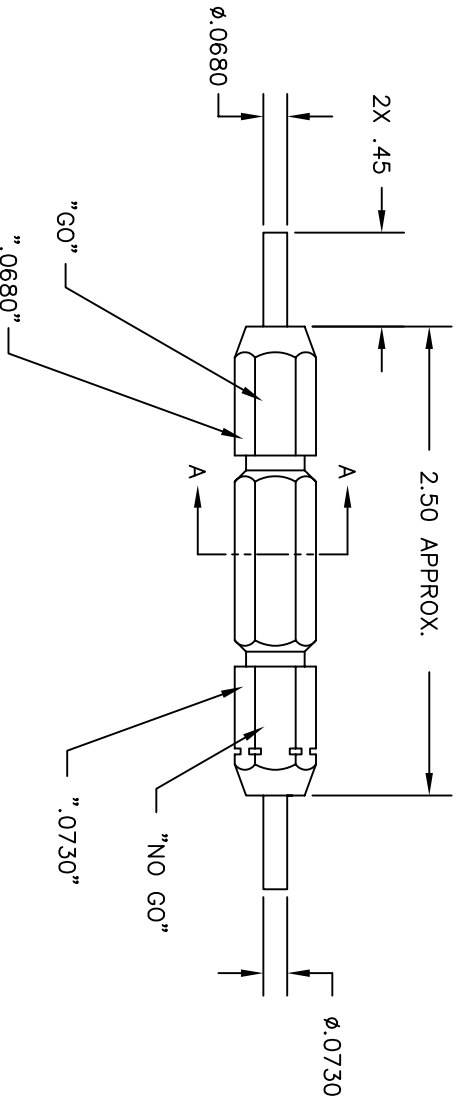


REVISIONS				
REV. SYM.	E.C.O. NUMBER	DESCRIPTION	BY DATE	APP'D DATE
1		ORIGINAL RELEASE	JMD 1/20/04	RRR 1/20/04

"DANIELS-USA G227"
 "SET SEL. AT 8"
 "FOR AF8 TOOL"
 "DO NOT CRIMP"
 "GAGE"
 SECTION A-A



**UNCONTROLLED DOCUMENT
 WILL NOT BE UPDATED**

RESTRICTED & CONFIDENTIAL		MATERIAL		ITEM		PART NO.		DESCRIPTION/REMARKS			
CONFIDENTIAL PROPERTY OF DANIELS MANUFACTURING CORP. NOT TO BE DISCLOSED TO OTHERS, REPRODUCED OR USED FOR ANY OTHER PURPOSE, EXCEPT AS AUTHORIZED IN WRITING BY DANIELS MANUFACTURING CORP. ON COMPLETION OF ORDER OR OTHER PURPOSE FOR WHICH LENT.		HEAT TREAT		DRN.	J. JOYCE	DATE	1/20/04	DMC DANIELS MANUFACTURING CORP. ORLANDO, FLORIDA CAGE 11891	GO/NO-GO GAGE ENVELOPE DRAWING		
		FINISH		CHK'D.	RRR	DATE	1/20/04				
DO NOT SCALE DRAWING		NOTE:		APP'D.		DATE		WHERE USED: SIZE SCALE POSTING B NTS			
		THIS DRAWING IS AN OUTLINE DRAWING OF THE RESPECTIVE INDICATED ACTUAL DIMS. PART NUMBER WITHOUT THE "-ENV" SUFFIX.		APP'D.		DATE		CAD P/N	G227-ENV	SHEET	1 OF 1
				REV.		DATE		DMG. NO.	G227-ENV	REV.	1