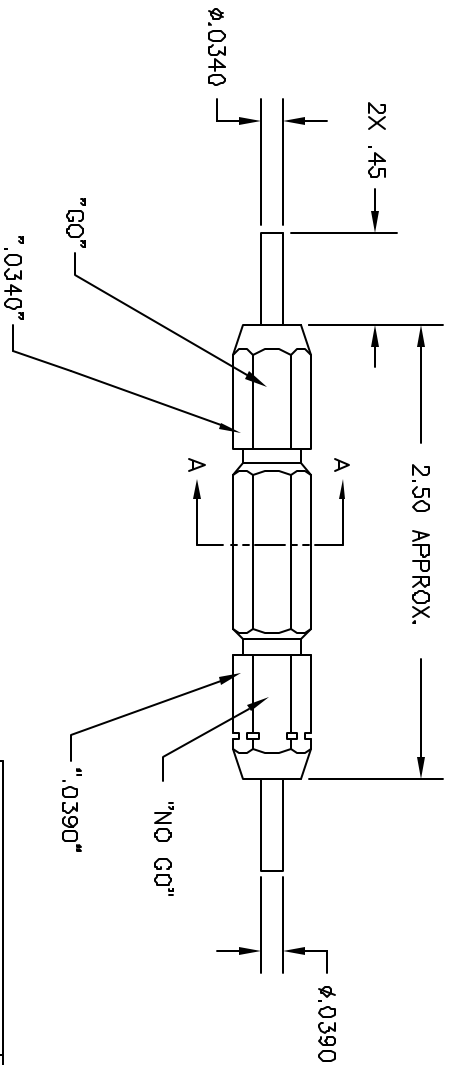
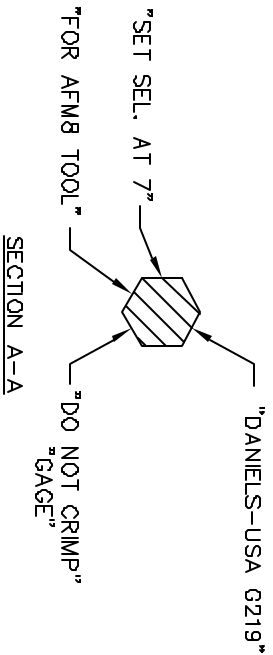


REV.	EQ'D. NUMBER	DESCRIPTION	BY DATE	APP'D DATE
1		ORIGINAL RELEASE	4/29/00	4/29/00



**UNCONTROLLED DOCUMENT  
WILL NOT BE UPDATED**

RESTRICTED & CONFIDENTIAL		MATERIAL		ITEM		PART NO.		QTY.		DESCRIPTION/REMARKS	
CONFIDENTIAL PROPERTY OF DANIELS MANUFACTURING CORP. NOT TO BE DISCLOSED TO OTHERS, REPRODUCED OR COPIED FOR ANY OTHER PURPOSES WITHOUT THE WRITTEN PERMISSION OF DANIELS MANUFACTURING CORP. ON COMPLETION OF ORDER OR OTHER PURPOSE FOR WHICH INT.		HEAT TREAT		DESK. J. JOYCE DATE 4/29/00 GSKD RRRR DATE 4/29/00 APP'D DATE		TITLE <b>DMC</b> DANIELS MANUFACTURING CORP. ORLANDO, FLORIDA CASE 11851		WEIGHT USED B SIZE NTS SCALE POSTING		CAD P/N G219-ENV DWG. NO. G219-ENV	
		FINISH		NOTE: THIS DRAWING IS AN OUTLINE DRAWING OF THE RESPECTIVE DIMS. PART NUMBER INDICATED. ACTUAL DIMS. PART NUMBER IS SHOWN IN THE "ENV" SUFFIX.		GO/NO-GO GAGE (7TH STEP AFMB) ENVELOPE DRAWING		1 OF 1 1 OF 1		1 OF 1 1 OF 1	
DO NOT SCALE DRAWING											