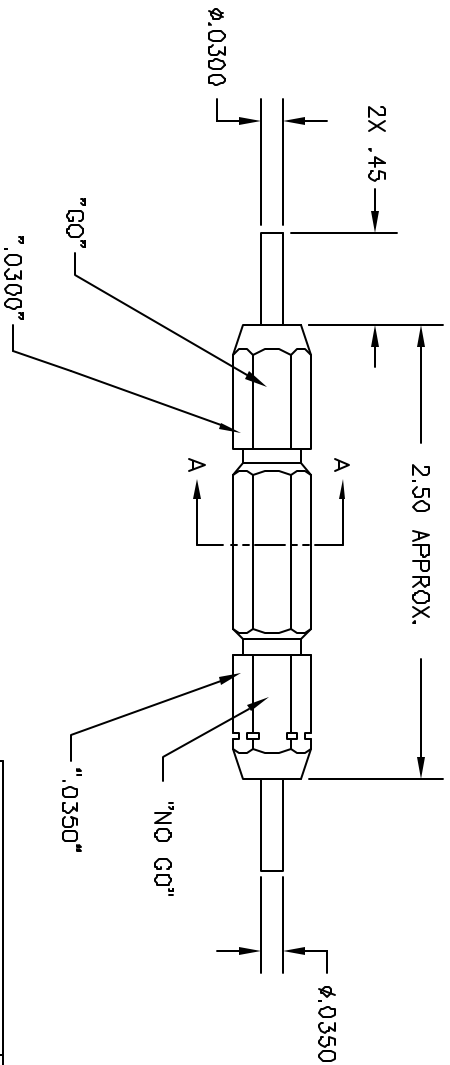
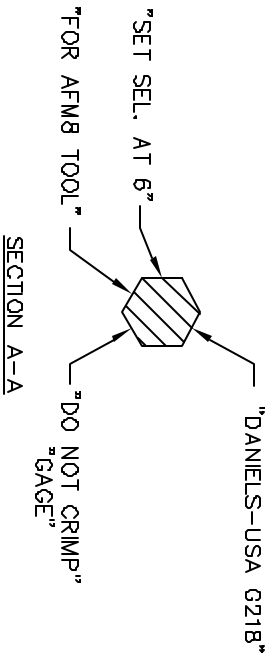


REVISIONS		REV.	EQIB NUMBER	DATE	APPR'D
1	ORIGINAL RELEASE	4/29/00	4/29/00	4/29/00	



**UNCONTROLLED DOCUMENT
 WILL NOT BE UPDATED**

RESTRICTED & CONFIDENTIAL		COMPANIAL PROPERTY OF DANIELS MANUFACTURING CORP. NOT TO BE DISCLOSED TO OTHERS, REPRODUCED OR COPIED FOR ANY OTHER PURPOSES WITHOUT THE WRITTEN PERMISSION OF DANIELS MANUFACTURING CORP. ON COMPLETION OF ORDER OR OTHER PURPOSE FOR WHICH INT.	
MATERIAL	FINISH	HEAT TREAT	DO NOT SCALE DRAWING
ITEM	PART NO.	QTY.	DESCRIPTION/REMARKS
DRN. J. JOYCE	DATE 4/29/00		DANIELS MANUFACTURING CORP. ORLANDO, FLORIDA CASE 11851
GRD. RRR	DATE 4/29/00		
APPR'D.	DATE		
NOTE: THIS DRAWING IS AN OUTLINE DRAWING OF THE RESPECTIVE DIM. PART NUMBER IS INDICATED IN THE "ENV" PREFIX.			
WEIGHT USCS		DIM. PREFIX	
SIZE	SCALE	CAD P/N	DRW. NO.
B	NTS	G218-ENV	G218-ENV
FINISH		SHEET	OF
		1	1
		REV.	1