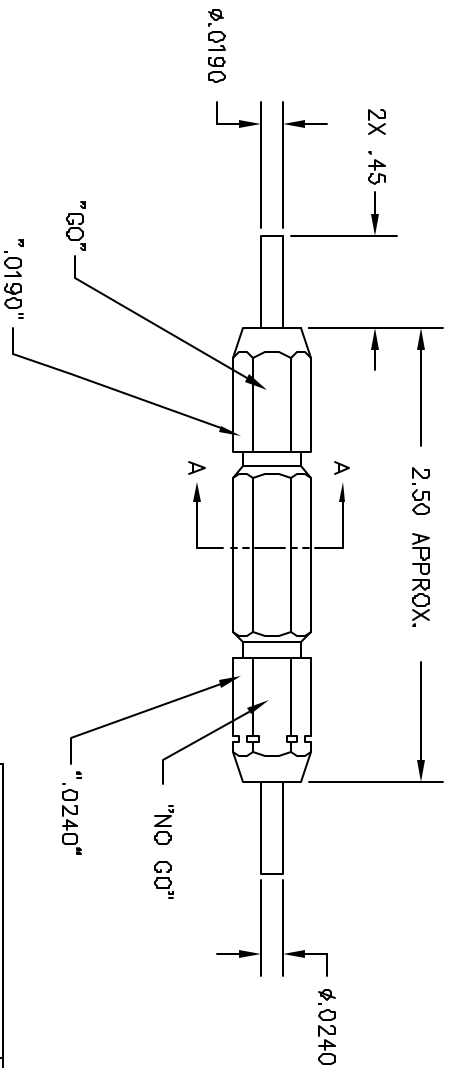
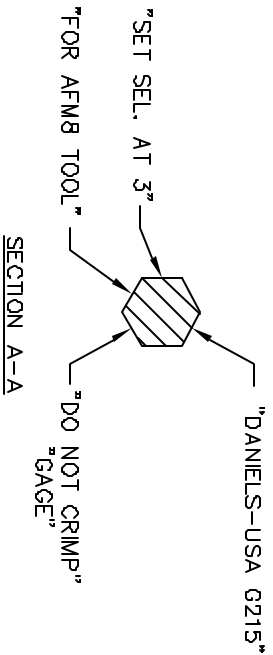


REV.	EQ'D. NUMBER	DESCRIPTION	BY DATE	APP'D DATE
1		ORIGINAL RELEASE	4/29/00	4/29/00



**UNCONTROLLED DOCUMENT
 WILL NOT BE UPDATED**

RESTRICTED & CONFIDENTIAL		MATERIAL		ITEM		PART NO.		QTY.		DESCRIPTION/REMARKS	
CONFIDENTIAL PROPERTY OF DANIELS MANUFACTURING DEPT. NOT TO BE DISCLOSED TO OTHERS, REPRODUCED OR COPIED FOR ANY OTHER PURPOSES WITHOUT THE WRITTEN PERMISSION OF DANIELS MANUFACTURING. MUST BE RETURNED TO DANIELS MANUFACTURING OR OTHER PURCHASER FOR WHICH INT.		HEAT TREAT		DESK. J. JOYCE DATE 4/29/00 G215 DATE 4/29/00 RRRR DATE 4/29/00		TITLE DNC DANIELS MANUFACTURING CORP. ORLANDO, FLORIDA CASE 11851		WEIGHT USED B SIZE NTS SCALE FINISH		CAD P/N G215-ENV DMC. NO. G215-ENV	
		FINISH		NOTE: THIS DRAWING IS AN OUTLINE DRAWING OF THE RESPECTIVE DIMS. PART NUMBER IS INDICATED IN THIS DRAWING. THE "ENV" SUFFIX		GO /NO-GO GAGE (3RD STEP AFM8) ENVELOPE DRAWING		SHEET 1 OF 1 REV. 1			

DO NOT SCALE DRAWING