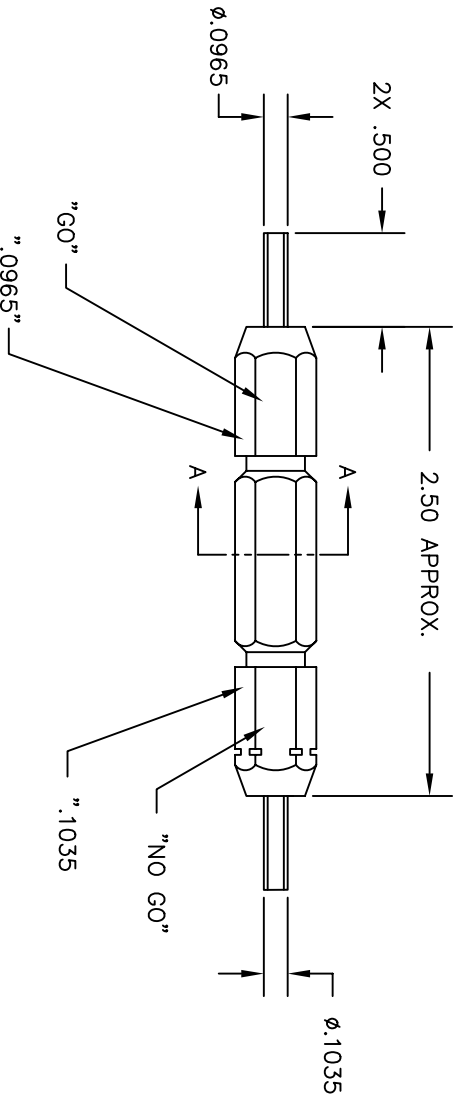


REVISIONS			
REV. SYM.	E.C.O. NUMBER	DESCRIPTION	BY DATE
2		CORRECTED MARKINGS	JMW 4/12/06 RRR 4/12/06

"M22520/6-031"
 "DANIELS-USA G208"
 "M22520/5-01"
 "BASIC TOOL"
 "DIES, M22520/5-25B"
 "-29B,-57B,-59B"
 "CAGE 11851"
 "DO NOT CRIMP"
 "GAGE"

SECTION A-A



**UNCONTROLLED DOCUMENT
 WILL NOT BE UPDATED**

RESTRICTED & CONFIDENTIAL		CONFERENTIAL PROPERTY OF DANIELS MANUFACTURING CORP. NOT TO BE DISCLOSED TO OTHERS, REPRODUCED OR USED FOR ANY OTHER PURPOSE, EXCEPT AS AUTHORIZED IN WRITING BY DANIELS MANUFACTURING. THIS DRAWING IS THE PROPERTY OF DANIELS MANUFACTURING AND IS LOANED TO YOU FOR THE PURPOSE OF ORDER OR OTHER PURPOSE FOR WHICH INTENT.	
MATERIAL	HEAT TREAT	FINISH	
ITEM	PART NO.	QTY.	DESCRIPTION/REMARKS
DRN. J. JOYCE	DATE 11/2/98		Daniel's Manufacturing Corp. ORLANDO, FLORIDA CAGE 11851
CHD. RRR	DATE 11/2/98		
APPD.	DATE		
NOTE: THIS DRAWING IS AN OUTLINE DRAWING OF THE RESPECTIVE DIM PART NUMBER AND IS NOT TO BE USED FOR DIMING PART NUMBER WITHOUT THE "-ENV" SUFFIX.		WHERE USED:	CAD P/N
		SIZE	G208-ENV
		SCALE	1 OF 1
		POSTING	DWG. NO. G208-ENV
			SHEET 1 OF 1
			REV. 2

DO NOT SCALE DRAWING