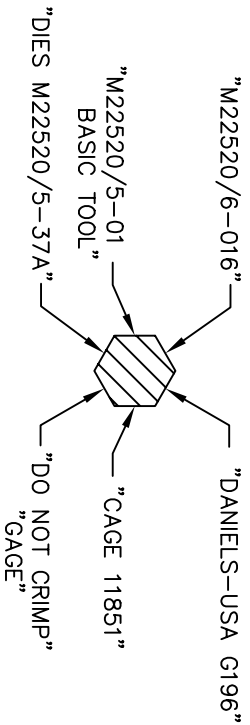
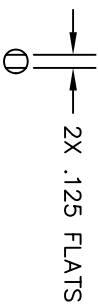
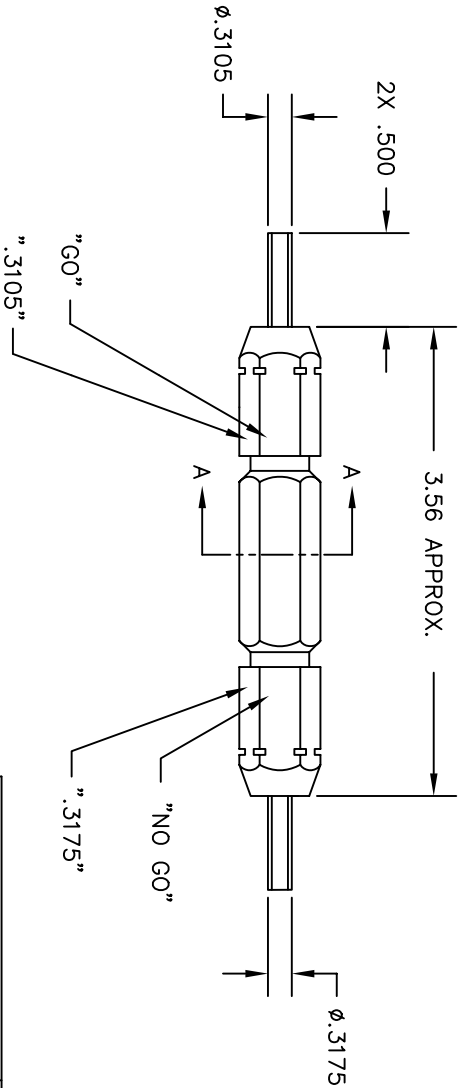


REVISIONS				
REV. SYM.	E.C.O. NUMBER	DESCRIPTION	BY DATE	APP'D DATE
1		ORIGINAL RELEASE	JWA 12/18/98	RRR 12/18/98



SECTION A-A



**UNCONTROLLED DOCUMENT
WILL NOT BE UPDATED**

RESTRICTED & CONFIDENTIAL CONFIDENTIAL PROPERTY OF DANIELS MANUFACTURING CORP. NOT TO BE DISCLOSED TO OTHERS, REPRODUCED OR USED FOR ANY OTHER PURPOSE. EXCEPT AS AUTHORIZED IN WRITING BY DANIELS MANUFACTURING CORP. ON COMPLETION OF ORDER OR OTHER PURPOSE FOR WHICH LENT.		MATERIAL	HEAT TREAT	FINISH	DO NOT SCALE DRAWING	
ITEM	PART NO.	QTY.	DESCRIPTION/REMARKS			
DRN. J. JOYCE	12/18/98		DANIELS MANUFACTURING CORP. ORLANDO, FLORIDA			
CHK'D. RRR	12/18/98		CAGE 11851			
APP'D.	DATE					
APP'D.	DATE					
NOTE: THIS DRAWING IS AN OUTLINE DRAWING OF THE RESPECTIVE INDICATED PART NUMBER. DIMENSIONS ARE APPROXIMATE. DIMENSIONS SHOWN IN THIS PART NUMBER WITHOUT THE "-ENV" SUFFIX.				WHERE USED:	CAD P/N	SHEET OF
				B	G196-ENV	1 OF 1
				POSTING	DMC. NO.	REV.
					G196-ENV	1