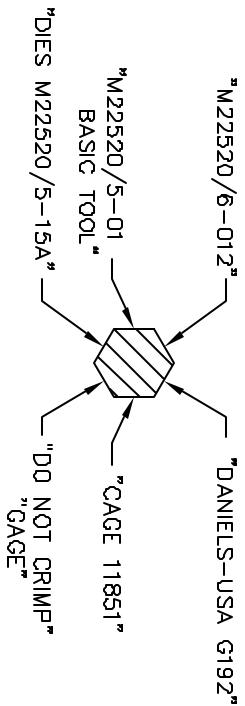
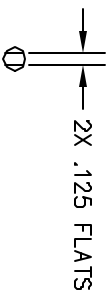
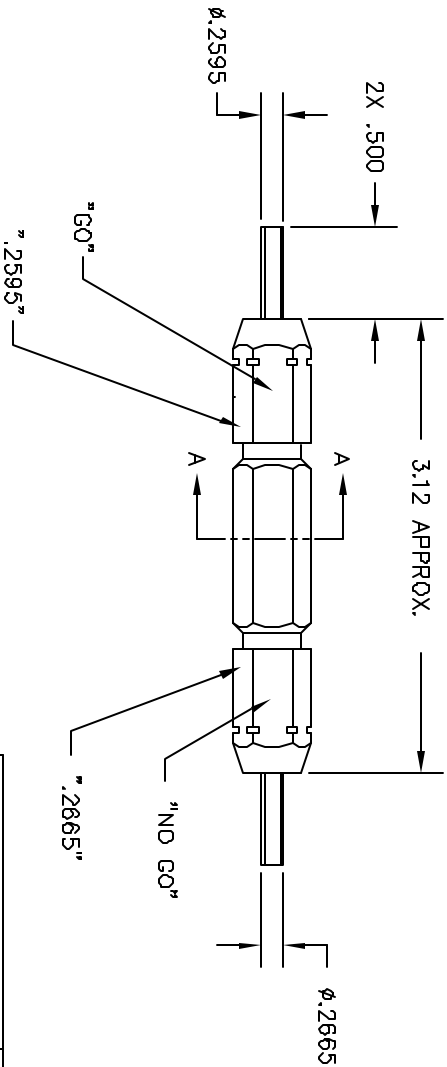


REVISIONS			
REV.	STN.	DESCRIPTION	DATE
1		ORIGINAL RELEASE	10/19/98



SECTION A-A



**UNCONTROLLED DOCUMENT
WILL NOT BE UPDATED**

RESTRICTED & CONFIDENTIAL			
COMPETENTIAL PROPERTY OF DANIELS MANUFACTURING CORP. NOT TO BE DISCLOSED TO OTHERS, REPRODUCED OR USED FOR ANY OTHER PURPOSE EXCEPT AS AUTHORIZED IN WRITING BY DANIELS MANUFACTURING CORP. MUST BE RETURNED TO DANIELS MANUFACTURING CORP. ON COMPLETION OF ORDER OR OTHER PURPOSE FOR WHICH LENT.			
MATERIAL	ITEM	PART NO.	QTY.
HEAT TREAT	DRN. J. JOYCE	DATE 10/19/98	DESCRIPTION/REMARKS
FINISH	DE	DATE 10/19/98	DANIELS MANUFACTURING CORP. ORLANDO, FLORIDA CAGE 11851
	APPRO. DATE		
	DATE		
TITLE		G0/NO-G0 GAGE ENVELOPE DRAWING (M22520/6-012)	
SIZE	SCALE	CAD P/N	SHEET
B	NTS	G192-ENV	1
FINISH			OF 1
		P/N	REV
		G192-ENV	1

DO NOT SCALE DRAWING