

**UNCONTROLLED DOCUMENT
WILL NOT BE UPDATED**

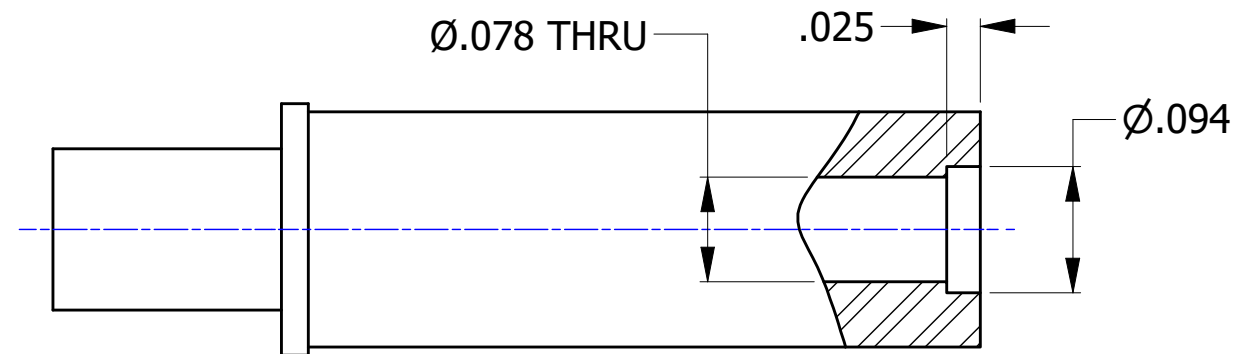
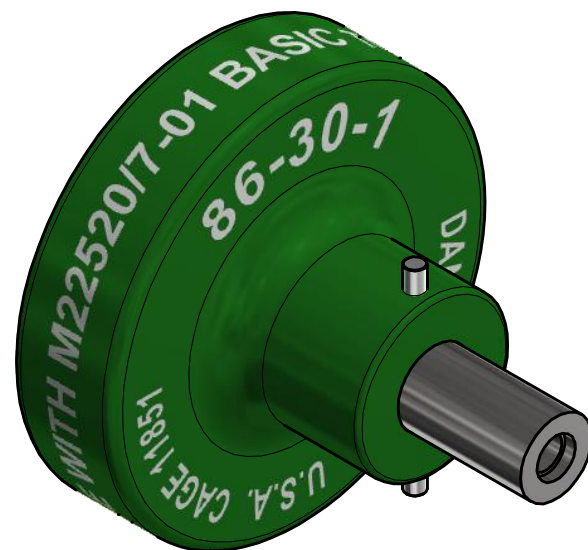
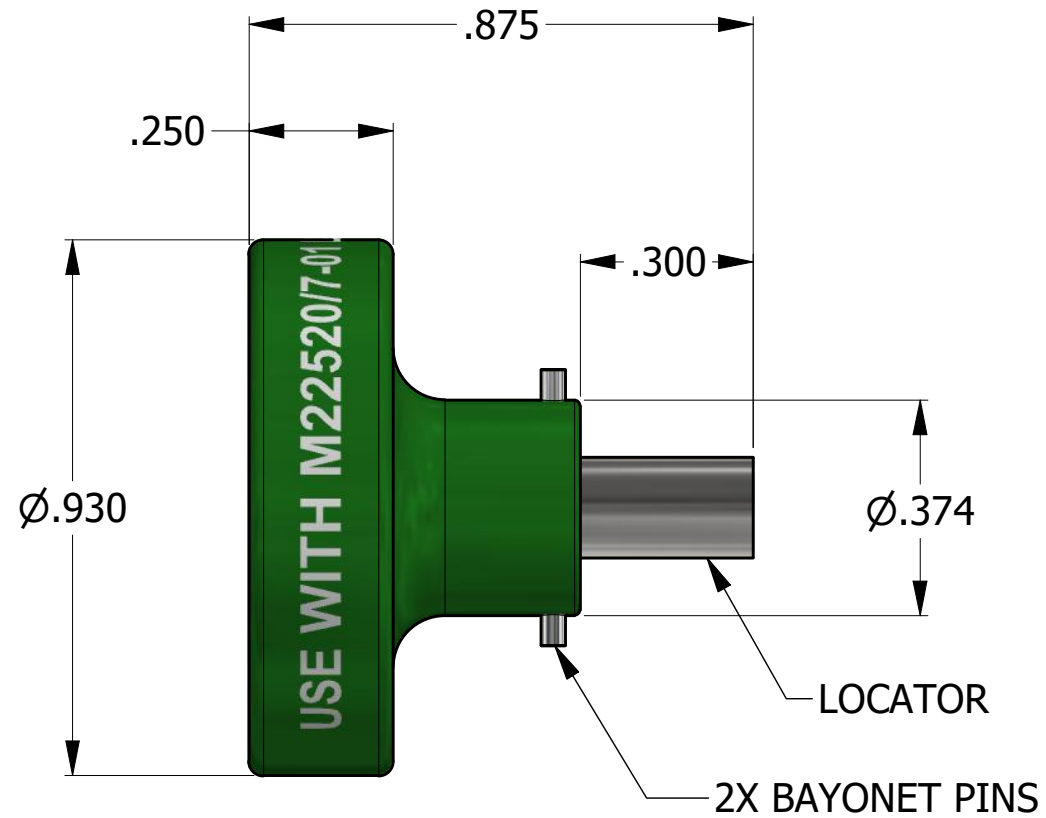
DIMENSIONS IN INCHES - UNLESS OTHERWISE SPECIFIED

REVISIONS

REV	ECO NO.	DESCRIPTION	BY	DATE	APP'D BY	DATE
1		ORIGINAL RELEASE	JWJ	5/19/2003	RRR	5/19/2003
2	25000	POSITIONER NOW MIL-SPEC DATAPLATE UPDATED	TonyD	9/20/2020		

USE WITH CONTACTS		
M39029		
SEL	/11-145, /12-149 /63-368, /63-656 /64-369, /64-657 /93-598, /94-602	
3	—	RG141A, 142A, 142B 178B, 180B, 188, 195A 196A, 303, 316/U
4	24	RG55B, 58C, 223/U
5	22	—
6	20	—

DATAPLATE



LOCATOR

MATERIAL	ITEM	PART NO.	QTY.	DESCRIPTION / REMARKS	
N/A	DRN. J. JOYCE CHK'D. DATE	DATE 5/19/2003		DANIELS MANUFACTURING CORP. ORLANDO, FLORIDA CAGE 11851	
RESTRICTED & CONFIDENTIAL CONFIDENTIAL PROPERTY OF DANIELS MANUFACTURING CORP. NOT TO BE DISCLOSED TO OTHERS. REPRODUCTION OR USED FOR ANY OTHER PURPOSE EXCEPT AS AUTHORIZED IN WRITING BY DANIELS MANUFACTURING. MUST BE RETURNED TO DANIELS MANUFACTURING CORP. ON COMPLETION OF ORDER OR PURPOSES FOR WHICH LENT.	HEAT TREAT	N/A			TITLE: POSITIONER (M22520/7-14) ENVELOPE DRAWING WHERE USED: MH860
CREATED FROM AN INVENTOR MODEL. CHANGES MUST BE REFLECTED IN THE 3D PART	FINISH	N/A			SIZE: B SCALE: 3 : 1 CAD P/N: 86-30-1-ENV SHEET: 1 OF 1 DWG. NO.: 86-30-1 REV.: 2
DO NOT SCALE DRAWING					