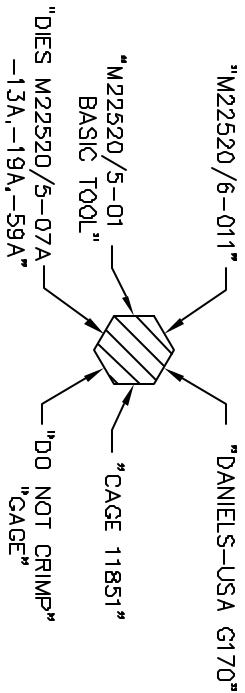
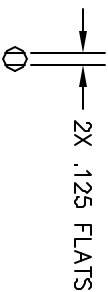
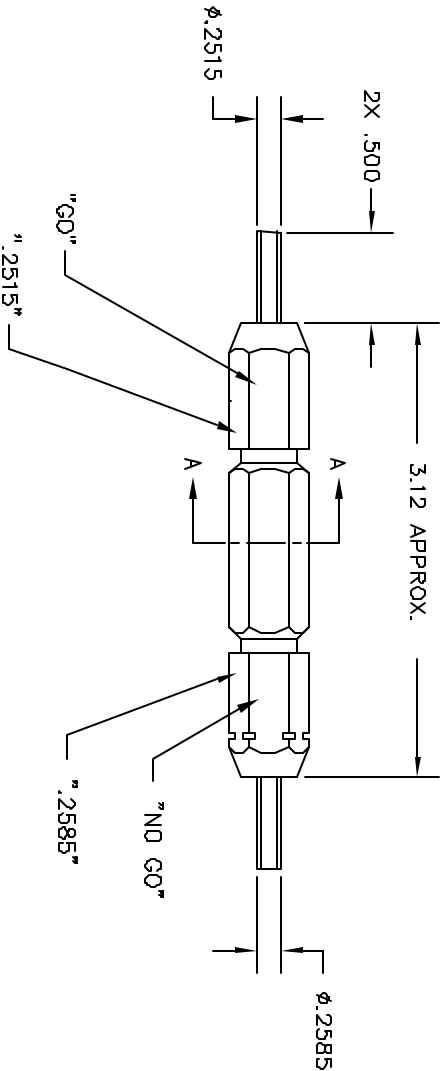


REVISIONS			
REV. NO.	ECN NUMBER	DESCRIPTION	DATE
1		ORIGINAL RELEASE	11/22/89



SECTION A-A



**UNCONTROLLED DOCUMENT
WILL NOT BE UPDATED**

RESTRICTED & CONFIDENTIAL		CONVENTIONAL PROPERTY OF DANIELS MANUFACTURING CORP. FOR THE USE OF DANIELS MANUFACTURING CORP. ONLY. NOT TO BE USED FOR ANY OTHER PURPOSE, EXCEPT AS AUTHORIZED IN WRITING BY DANIELS MANUFACTURING. MUST BE RETURNED TO DANIELS MANUFACTURING CORP. UPON COMPLETION OF ORDER OR OTHER PURPOSE FOR WHICH LENT.	
MATERIAL	HEAT TREAT	FINISH	
ITEM	PART NO.	QTY.	DESCRIPTION/REMARKS
DRN: J. JOYCE	DATE: 11/22/89		Daniel's Manufacturing Corp. DANIELS MANUFACTURING CORP. ORLANDO, FLORIDA GAGE 11851
CHK'D: RRR	DATE: 11/22/89		
APPRD:	DATE:		TITLE: GO/NO-GO GAGE (M22520/6-011) ENVELOPE DRAWING
WHERE USED:	SCALE:	SHEET:	REV:
PROBING	B	1	1
	P/M	G170-ENV	

DO NOT SCALE DRAWING