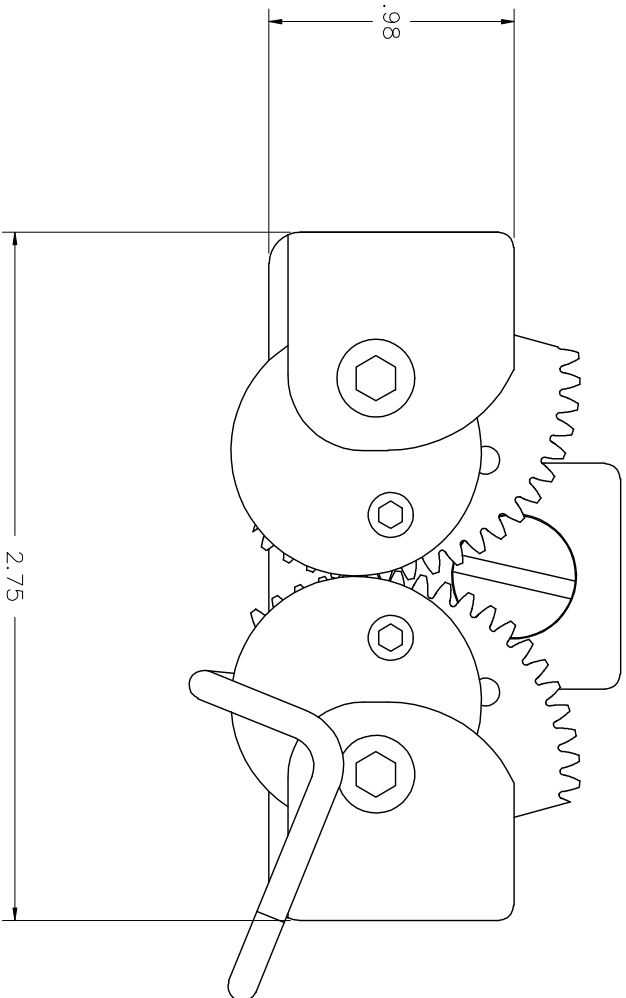


REVISIONS				
REV. STYL. NUMBER	E.C.O. NUMBER	DESCRIPTION	BY DATE	APPD DATE
1		ORIGINAL RELEASE	B.K. 7-10-98	D.E. 7-98
2		CHGD TO NEW HANDLE	K. KOONS 1,29,10	D. EBRY 1,23,10



**UNCONTROLLED DOCUMENT  
WILL NOT BE UPDATED**

RESTRICTED & CONFIDENTIAL		MATERIAL		ITEM		PART NO.		QTY.		DESCRIPTION/REMARKS	
CONFIDENTIAL PROPERTY OF DANIELS MANUFACTURING CORP. NOT TO BE DISCLOSED TO OTHERS; REPRODUCED OR USED FOR ANY OTHER PURPOSE, EXCEPT AS AUTHORIZED IN WRITING. THIS DRAWING IS AN OUTLINE DRAWING. ACTUAL DIMENSIONS MUST BE OBTAINED FROM DANIELS MANUFACTURING CORP. ON COMPLETION OF ORDER OR OTHER PURPOSE FOR WHICH LENT.		HEAT TREAT		DRAWN	DATE	B. KILPATRICK	7-16-98	CHKD.	DATE	<b>DMC</b> DANIELS MANUFACTURING CORP. ORLANDO, FLORIDA CAGE 11851	
		FINISH		APPD.	DATE	APPD.	DATE	APPD.	DATE		
DO NOT SCALE DRAWING		NOTE:		THIS DRAWING IS AN OUTLINE DRAWING. ACTUAL DIMENSIONS MUST BE OBTAINED FROM DANIELS MANUFACTURING CORP. ON COMPLETION OF ORDER OR OTHER PURPOSE FOR WHICH LENT.		TITLE		SCALE		SHEET	
		OPTIONAL LOWER ADJUSTABLE GRIP ASSEMBLY ENVELOPE DRAWING		WHERE USED: ENVELOPE DRAWING		15-3202-ENV		15-3202-ENV		1 OF 1	