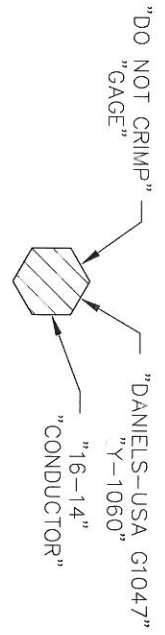
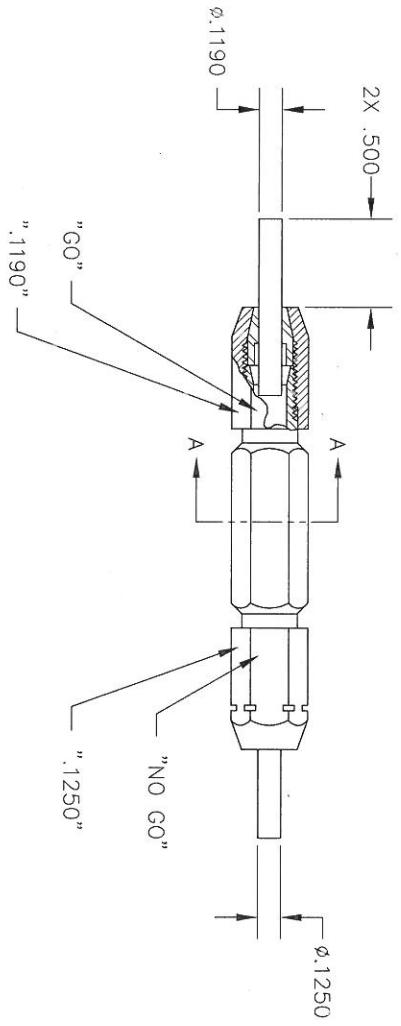


**UNCONTROLLED DOCUMENT
WILL NOT BE UPDATED**
DIMENSIONS IN INCHES - UNLESS OTHERWISE SPECIFIED

REVISONS		DESCRIPTION	BY DATE	APP'D DATE
REV. NUMBER	E.C.O. NUMBER			
1		ORIGINAL RELEASE	K. KOONS 6.4.15	



SECTION A-A



RESTRICTED & CONFIDENTIAL		ITEM	PART NO.	QTY.	DESCRIPTION/REMARKS
CONFERENTIAL PROPERTY OF DANIELS MANUFACTURING CORP. NOT TO BE DISCLOSED TO OTHERS. REPRODUCED OR USED FOR ANY OTHER PURPOSE, EXCEPT AS AUTHORIZED IN WRITING, MUST BE RETURNED TO DANIELS MANUFACTURING CORP. ON COMPLETION OF ORDER OR OTHER PURPOSE FOR WHICH LENT.		DRY. K. KOONS	DATE 6.4.15		DANIELS MANUFACTURING CORP. ORLANDO, FLORIDA CAGE 11851
HEAT TREAT	N/A	APP'D.	DATE		
FINISH	N/A	APP'D.	DATE		
NOTE: THE DRAWING IS AN OUTLINE DRAWING OF THE RESPECTIVE INDICATED ACTUAL DIM PART NUMBER WHICH THE "-ENV" SUFFIX WHERE USED:					
DO NOT SCALE DRAWING		GO/NO-GO GAGE ENV DWG		SIZE B	DWG. NO. G1047-ENV
				SCALE NTS	PAGE 1/1
				POSTING	SHEET 1 OF 1
					REV. 1