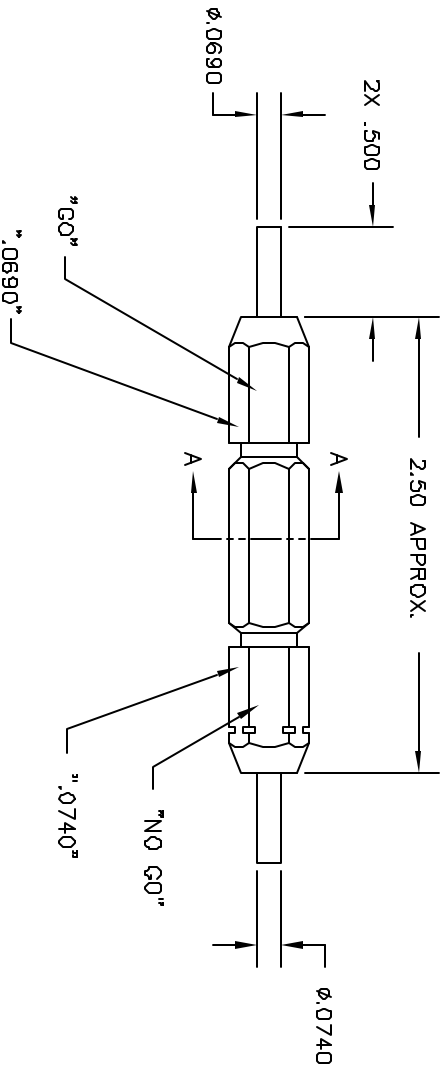


REV.	REV. STA.	EG&L NUMBER	DESCRIPTION	BY DATE	APP'D DATE
1			ORIGINAL RELEASE	1/19/03	1/19/03

"DO NOT CRIMP"
"GAGE"
"DANIELS-USA G1005"
"SET SEL. AT 5"
"FOR M309 TOOL"

SECTION A-A



UNCONTROLLED DOCUMENT
WILL NOT BE UPDATED

RESTRICTED & CONFIDENTIAL		MATERIAL		ITEM		PART NO.		QTY.		DESCRIPTION/REMARKS	
CONFIDENTIAL PROPERTY OF DANIELS MANUFACTURING CORP. NOT TO BE REPRODUCED OR USED FOR ANY OTHER PURPOSE EXCEPT AS AUTHORIZED IN WRITING BY DANIELS MANUFACTURING. MANUFACTURING OPEN IN COMPETITION OF OTHERS WHICH ENVI.		HEAT TREAT		DRG. J. JOYCE		DATE 1/19/03				DANIELS MANUFACTURING CORP. ORLANDO, FLORIDA CASE 11851	
DO NOT SCALE DRAWING		FINISH		APPR. RRR		DATE 1/19/03				G0/ND-G0 GAGE ENVELOPE DRAWING	
				APPR.		DATE		WHERE USED M309		SIZE B	
								SCALE NTS		SHEET 1 OF 1	
								P/N G1005-ENV		REV 1	
								P/N G1005-ENV		REV 1	